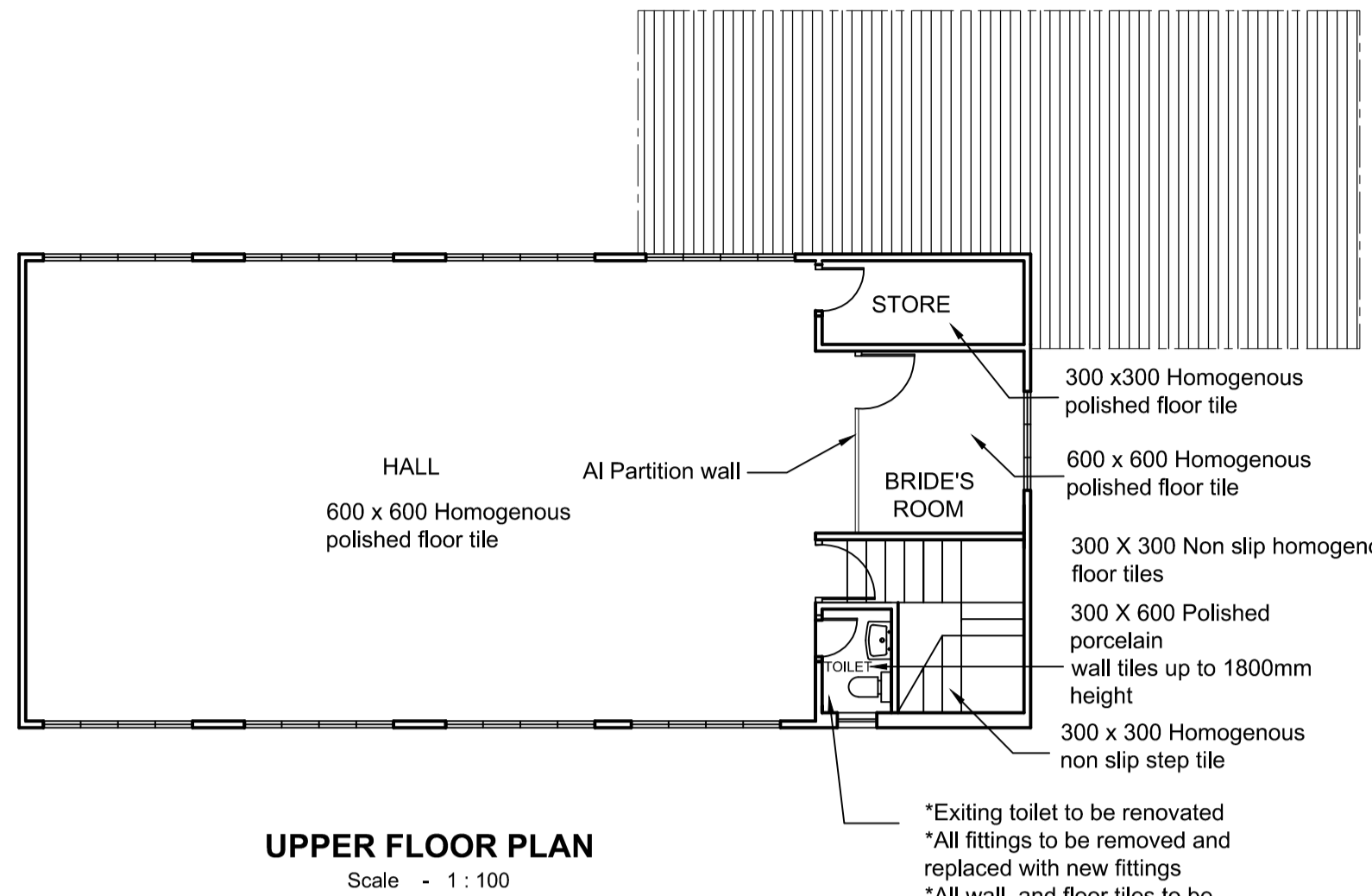
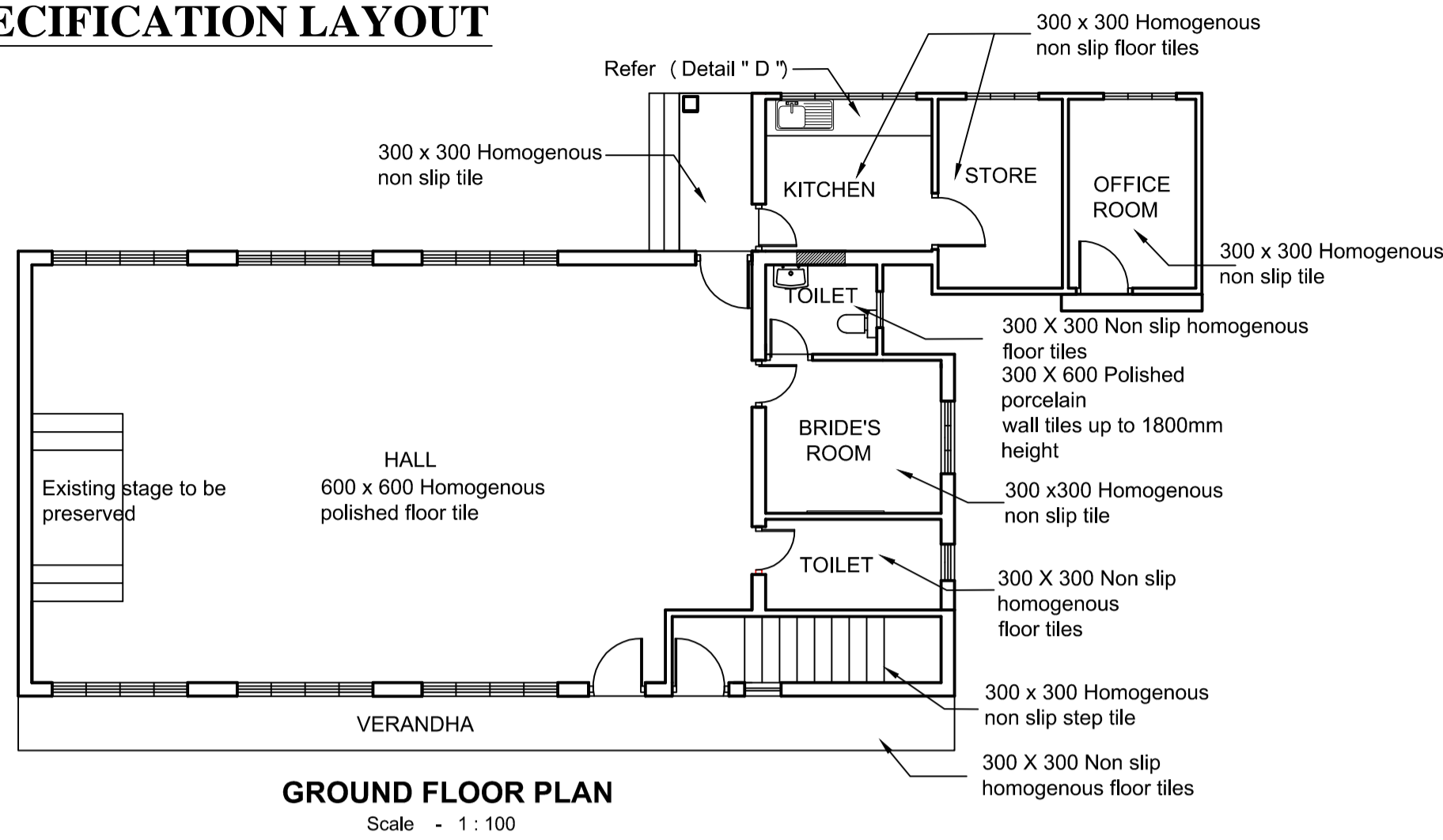
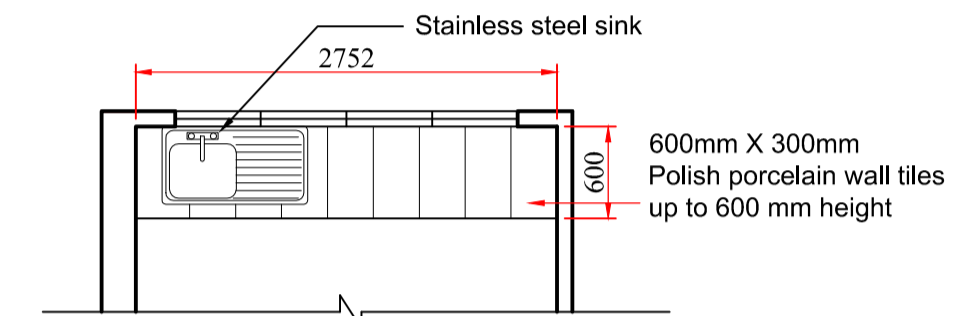
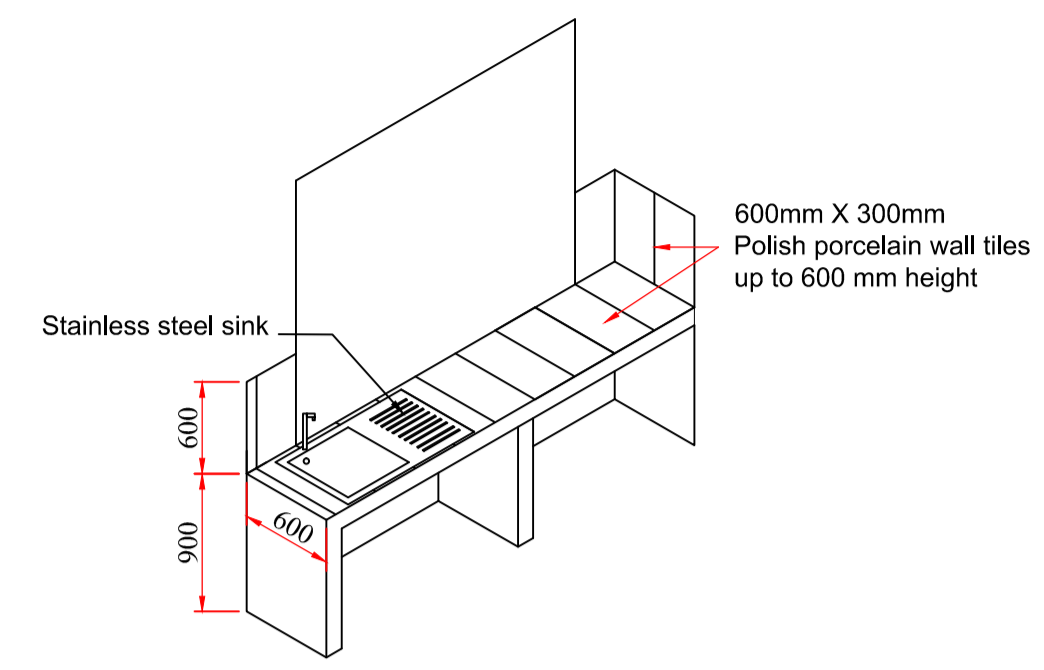


**SPECIFICATION LAYOUT**

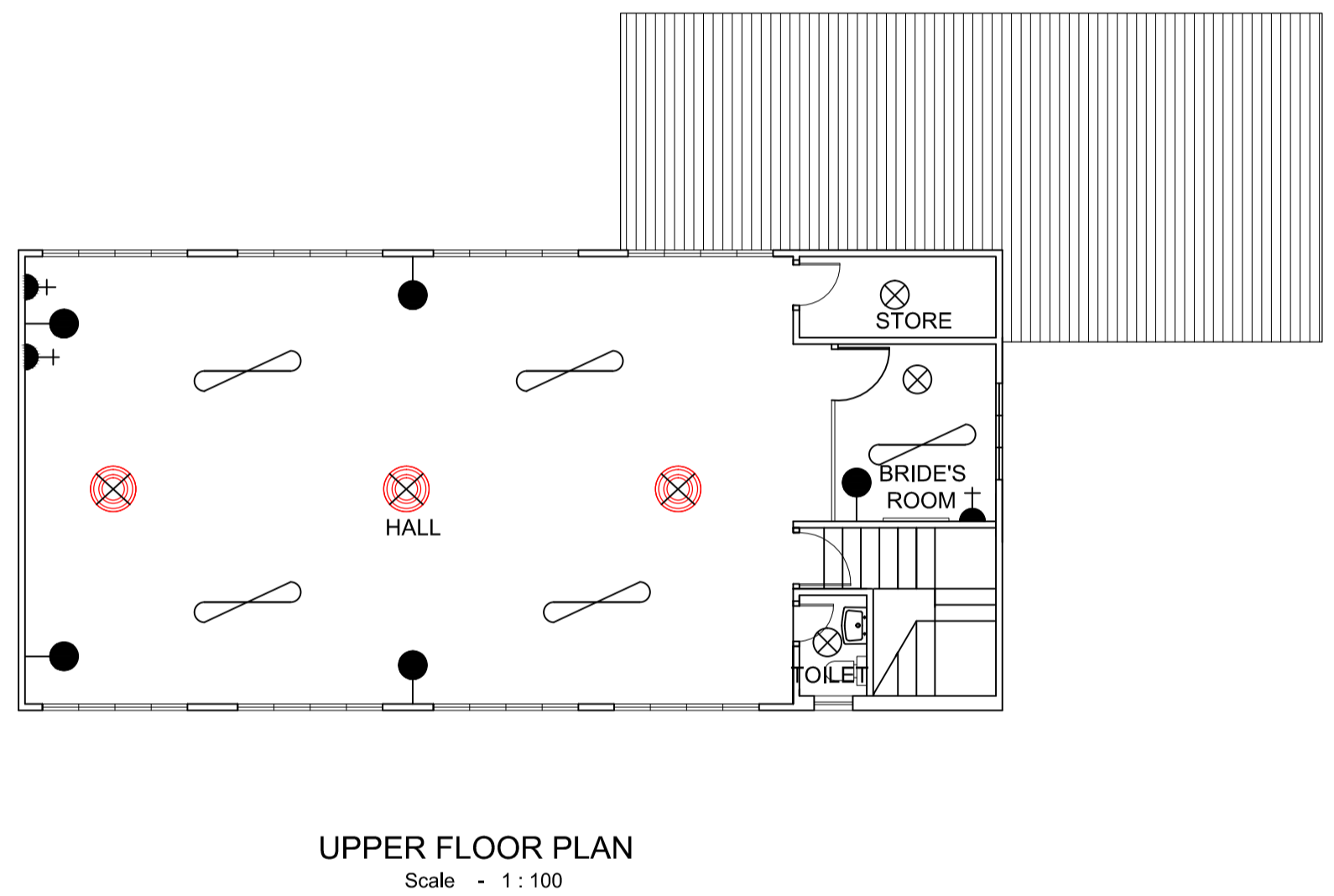
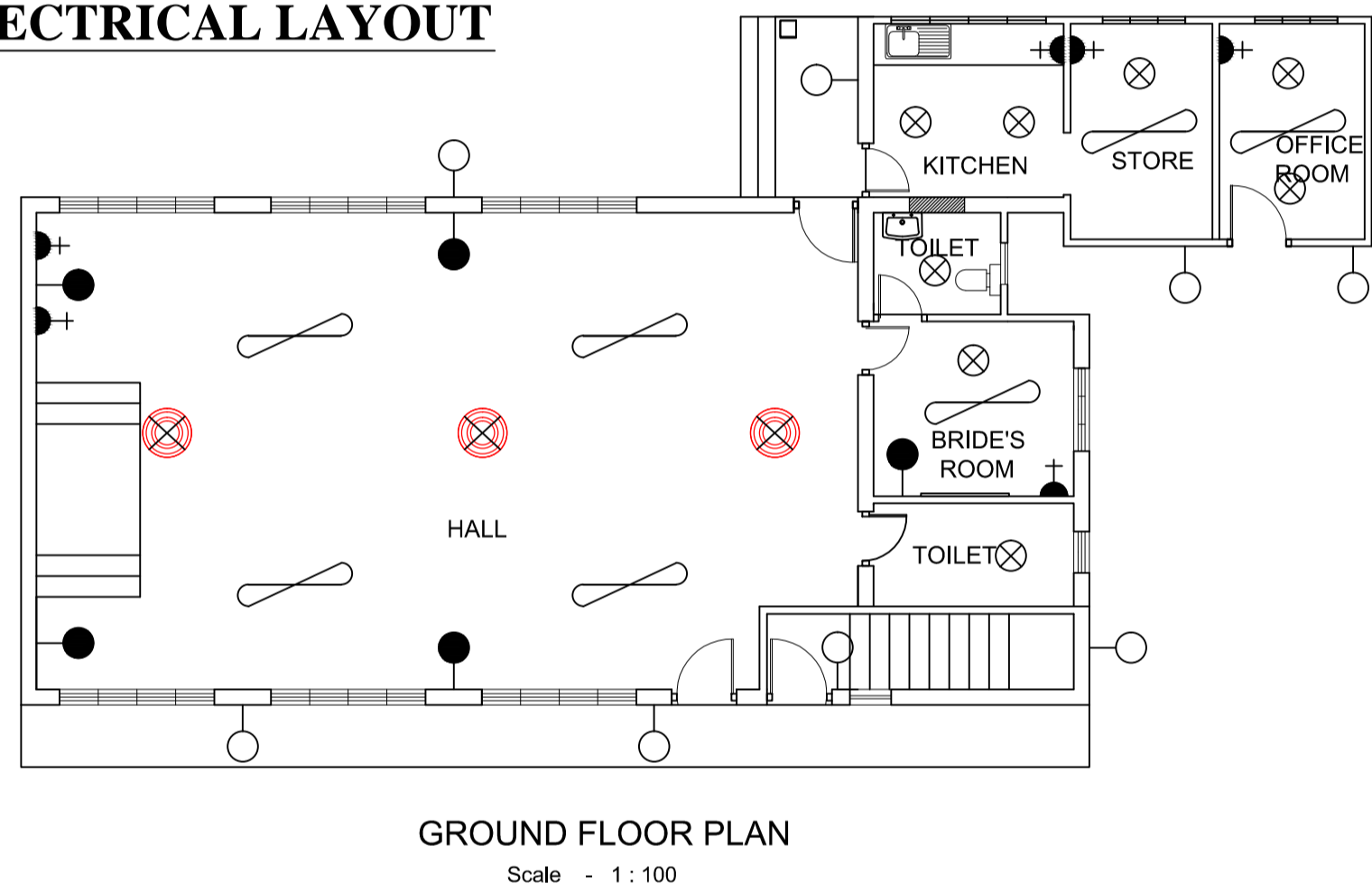


**DETAIL OF KITCHEN WORK TOP**



| SYMBOLS OF ELECTRICAL ITEMS |        |
|-----------------------------|--------|
| Description                 | Symbol |
| CEILING FAN                 |        |
| OUTDOOR WALL BRACKET LAMPS  |        |
| INDOOR WALL BRACKET LAMPS   |        |
| PENDENT LAMPS               |        |
| CANDELAS LAMP               |        |
| 13 A SOCKET OUTLET          |        |
| MIRROR LAMPS                |        |

**ELECTRICAL LAYOUT**



- NOTE**
1. This drawing is a property of the Architectural unit of the M.E's Department.
  2. This drawing shall not be copied or altered without the consent of the Architect.
  3. If any discrepancy or error is detected in the drawing it should be immediately notice of the Architect.
  4. This drawing should be read in conjunction with structural drawings & all service drawings and any other drawings referred to in here.
  5. Any construction work carried out not in accordance with the information in the drawing will be rejected by the Architect.
  6. All dimensions to be checked at site prior to the construction.
  7. Colours of fittings & tiles to be approved by the Architect.
  8. Existing AI windows to be preserved do necessary repairs where necessary.
  9. All internal and external wall plastering to be repaired and finished with putty and paint.
  10. All existing floor and wall tiles to be removed and replaced with new tiles.
  11. Existing ceiling to be removed and replaced with new calcium silicate flat ceiling.

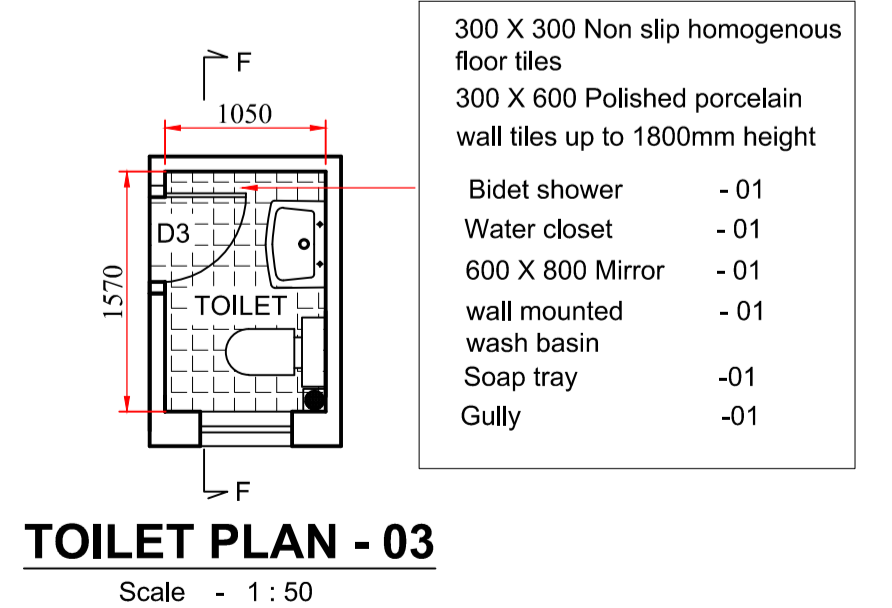
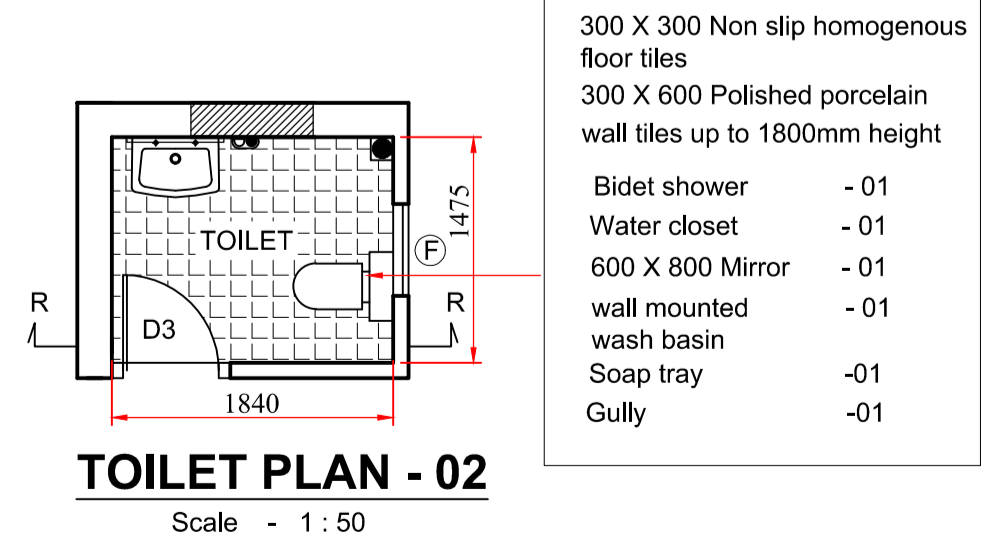
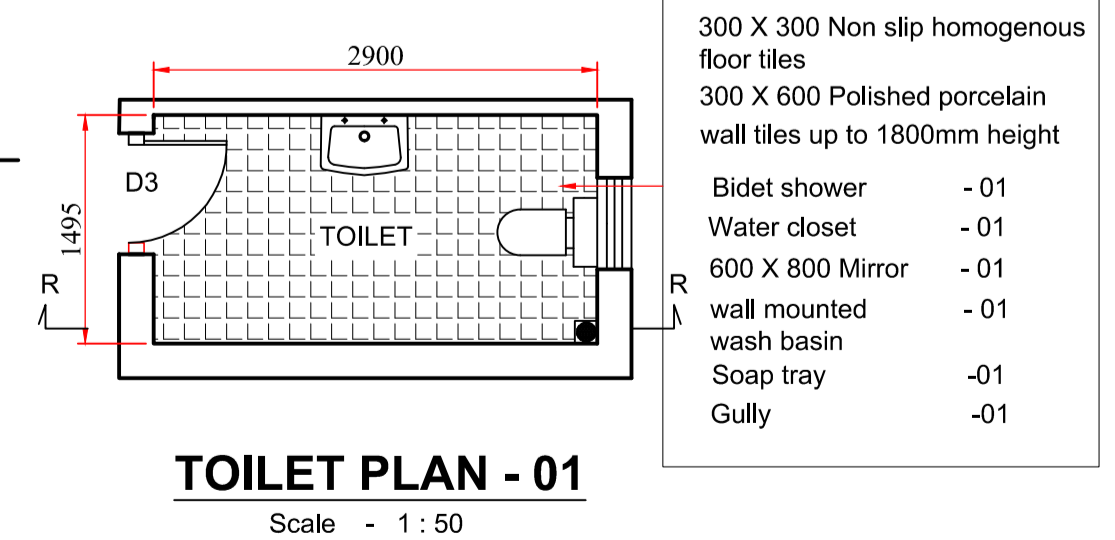
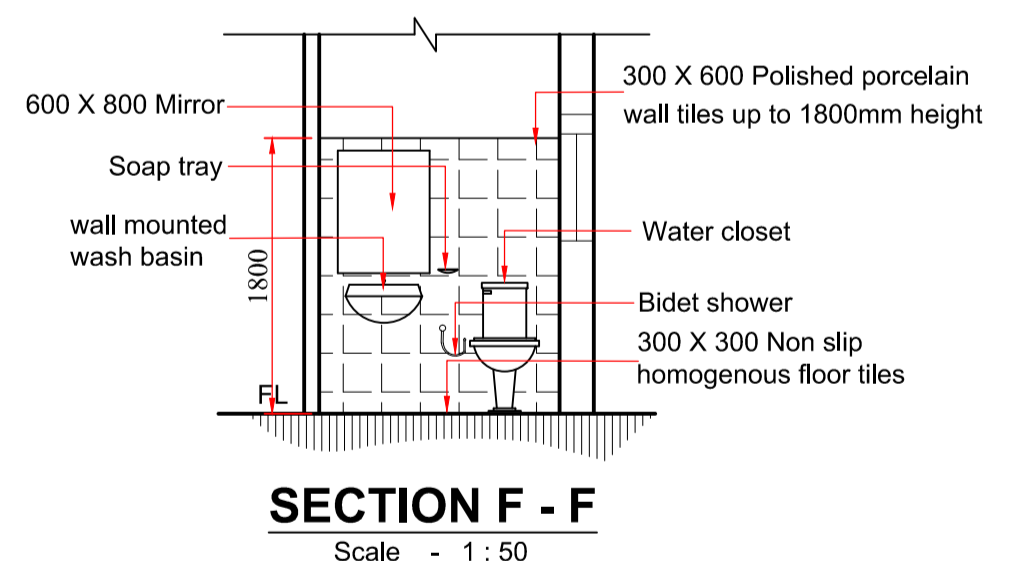
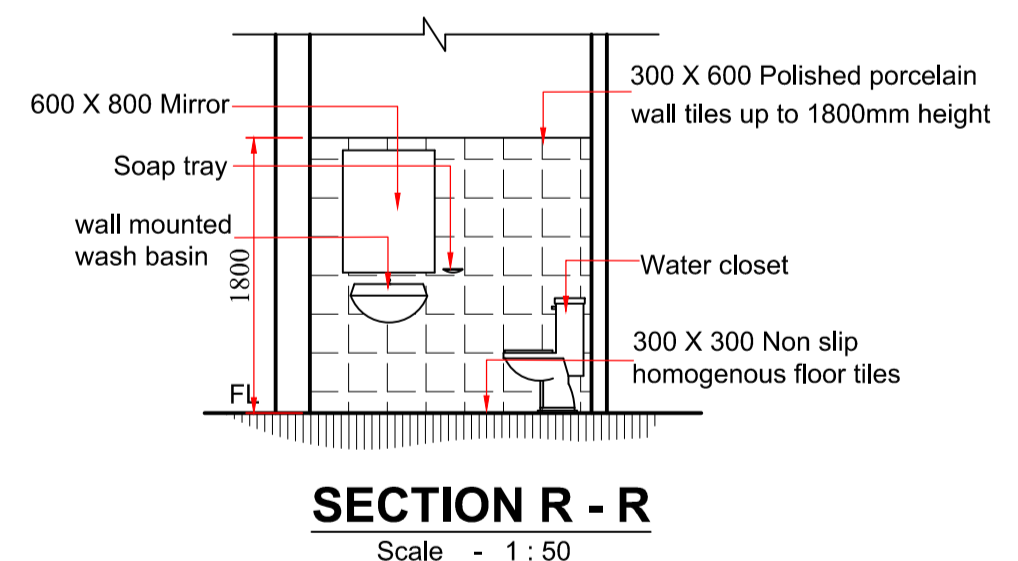
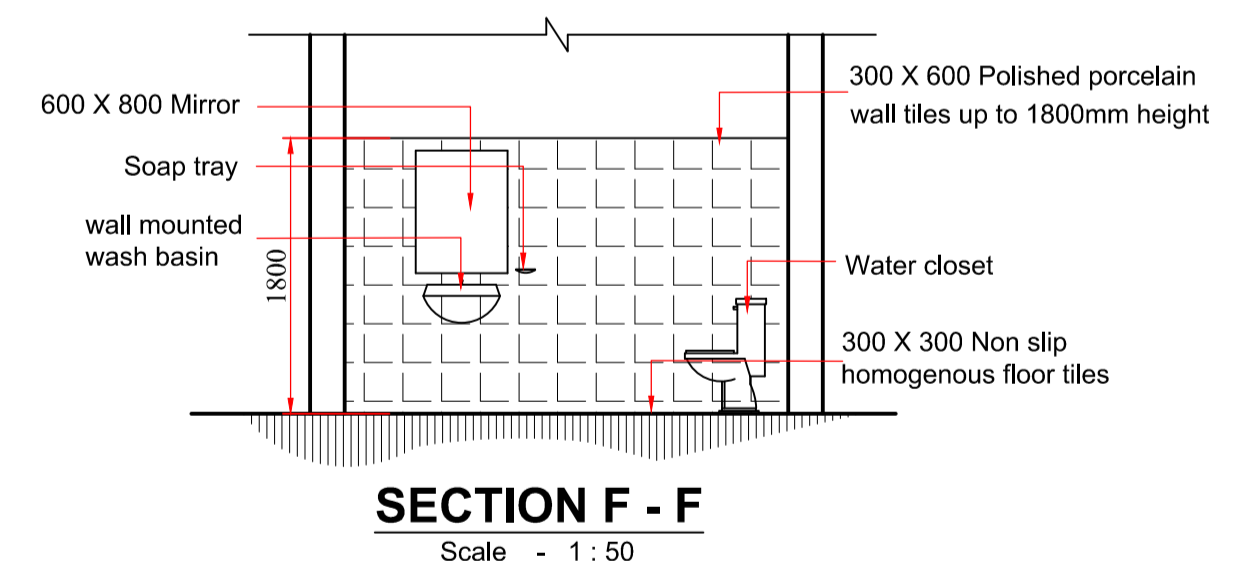
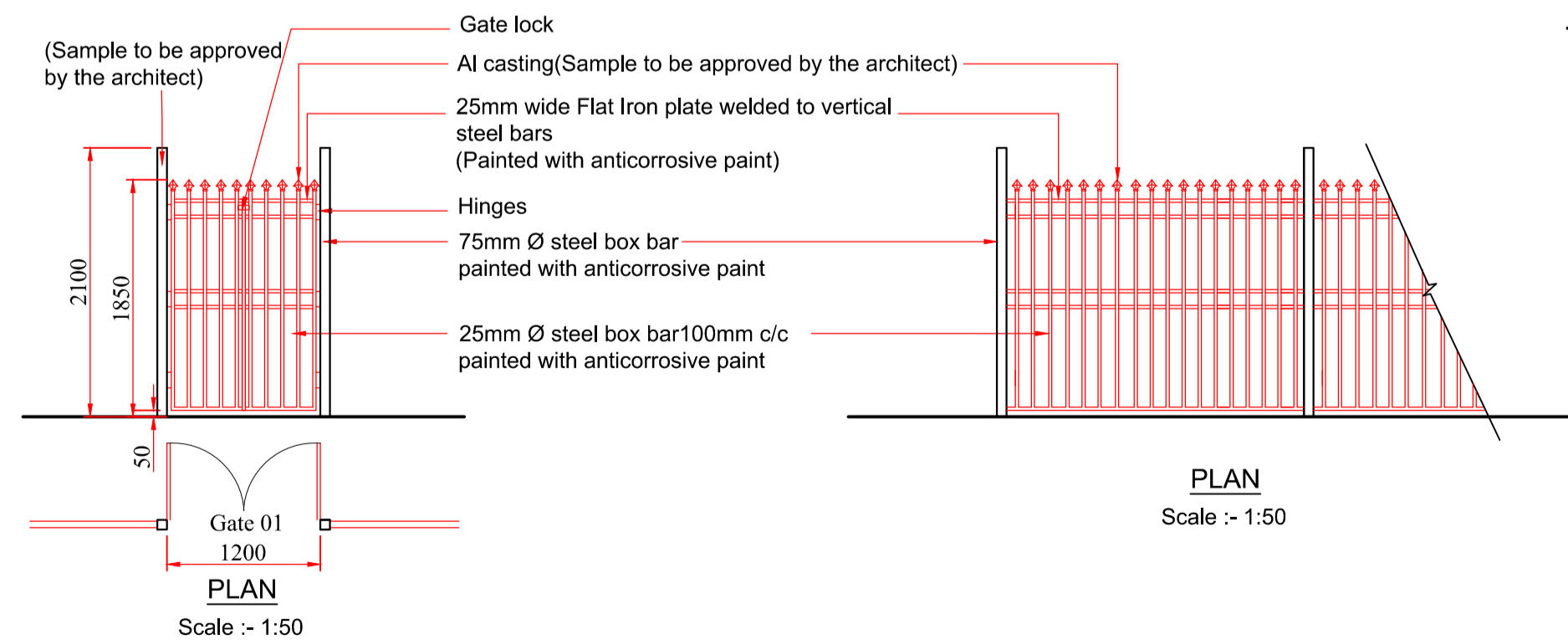
**COLOMBO MUNICIPAL COUNCIL  
MUNICIPAL ENGINEER'S DEPARTMENT**

**PROPOSED RENOVATIONS TO  
PARAKRAMA RECEPTION HALL  
AT GRANDPASS, COLOMBO 14.**

**FLOOR PLAN LAYOUTS, ELEVATIONS,  
SECTIONS & DETAILS.**

|                       |                     |  |
|-----------------------|---------------------|--|
| PROJECT ARCHITECT     | E.G.L.MELLUGATHANNE |  |
| STRUCTURAL ENGINEER   | W.M.U.P.KUMARA      |  |
| SENIOR ARCHITECT      | S.U.R.DOLAPHIHILLA  |  |
| CHIEF ARCHITECT       | M.C.L.FERNANDO      |  |
| DIRECTOR (Eng./ TDRS) | T.A.CHANDRAPALA     |  |
| D.M.C.(Eng.services.) | Y.SYLVESTER         |  |

**GATE AND FENCE DETAIL**  
Scale :- 1:50



|  |                    |                   |                     |
|--|--------------------|-------------------|---------------------|
| SCALE                                  | DRAWN              | CHECKED           |                     |
| 1:100<br>1:50                          | T.M.L.R.Thennakoon |                   | Chavindu Senarathne |
| JOB NO.                                | SHEET NO.          | D.O.A.<br>ACT:    | Chavindu Senarathne |
| 2021/15                                | 02/02              | REVISION SUFFIX   |                     |
| CLIENT DEPT./AUTHORIZED OFFICER'S NAME |                    | DATE : 29-07-2021 |                     |
| CLIENT SIGNATURE                       | DESIGNATION        |                   |                     |