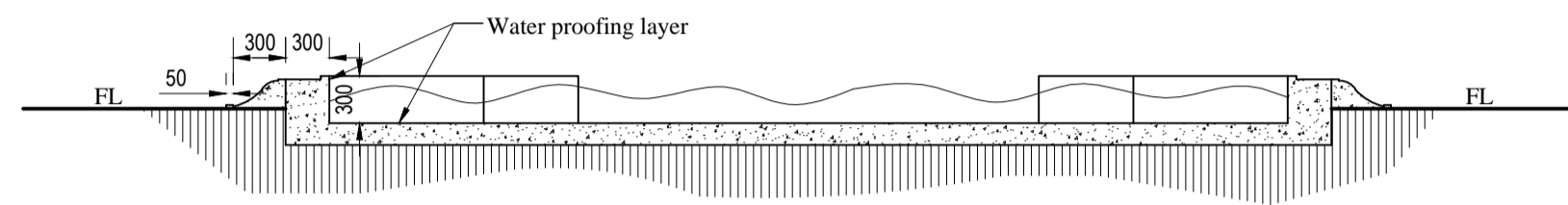
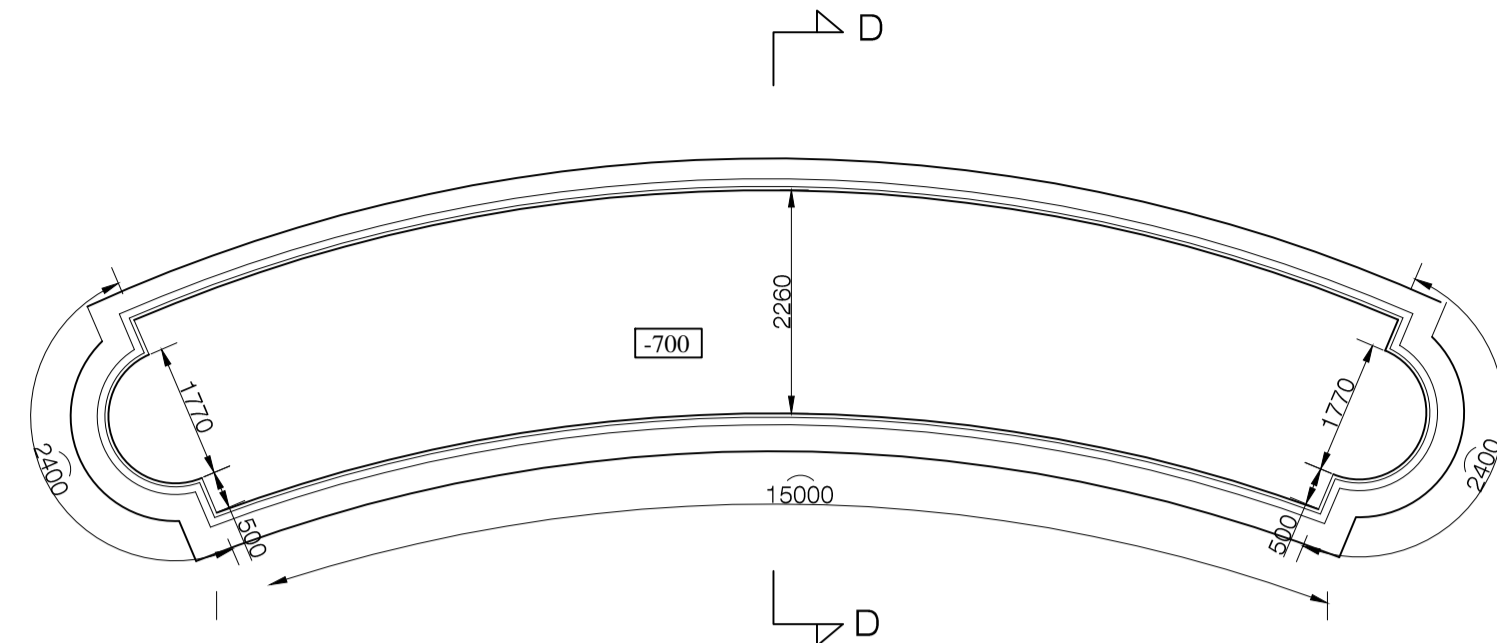


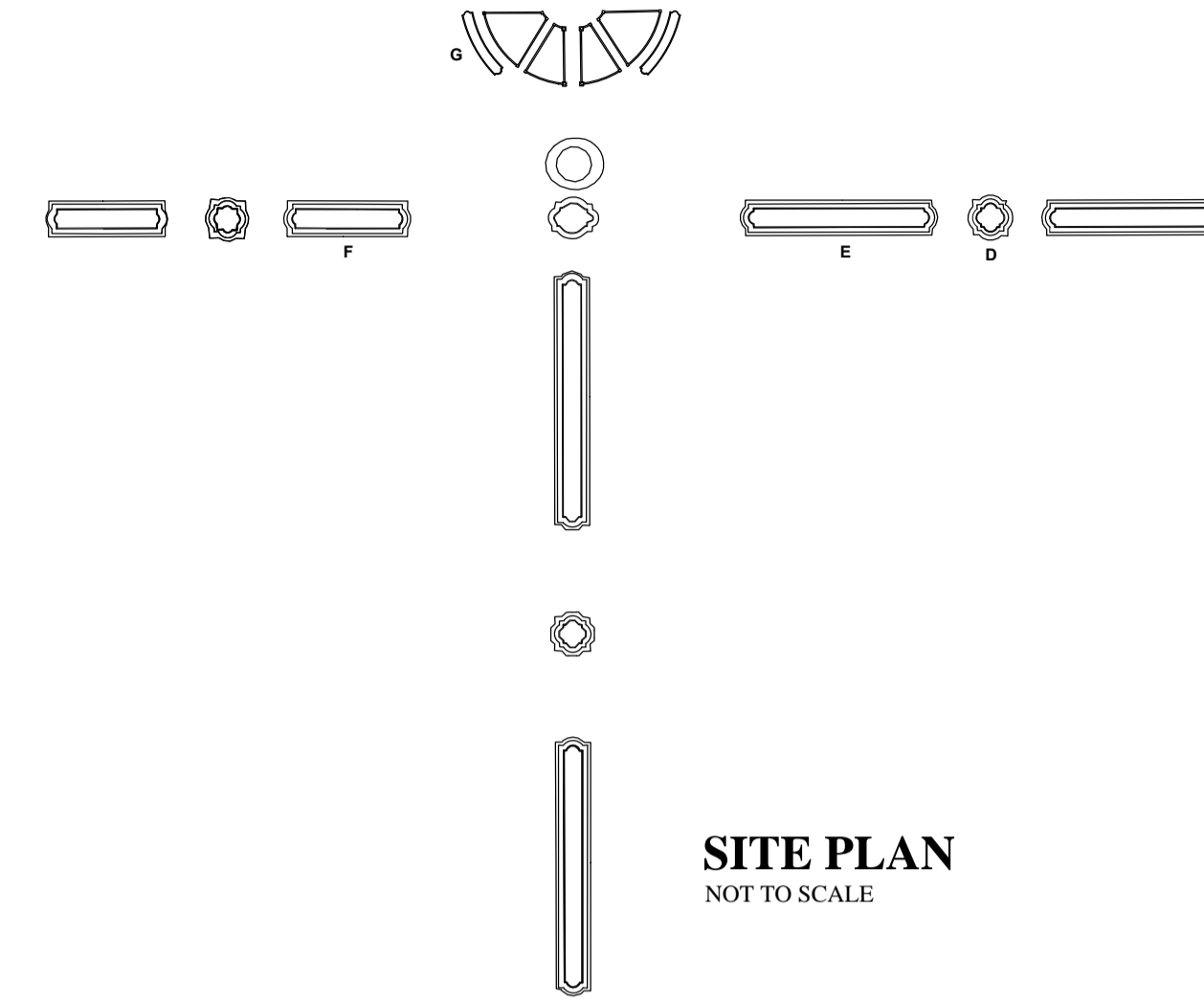
PLAN - D
SCALE 1:100



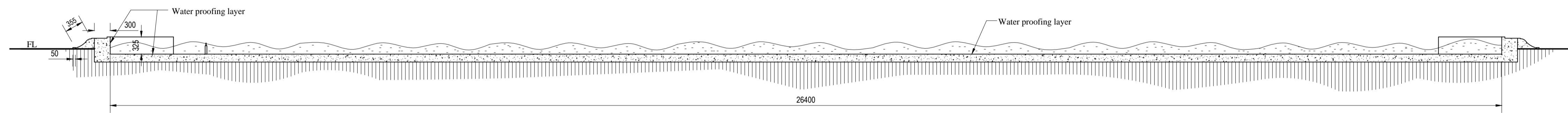
SECTION C - C
SCALE 1:50



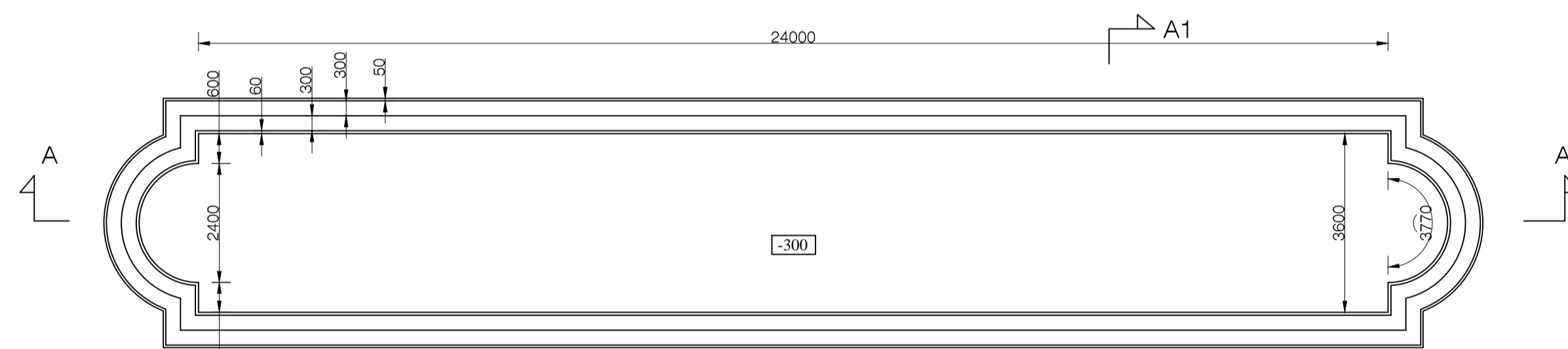
PLAN - G
SCALE 1:100



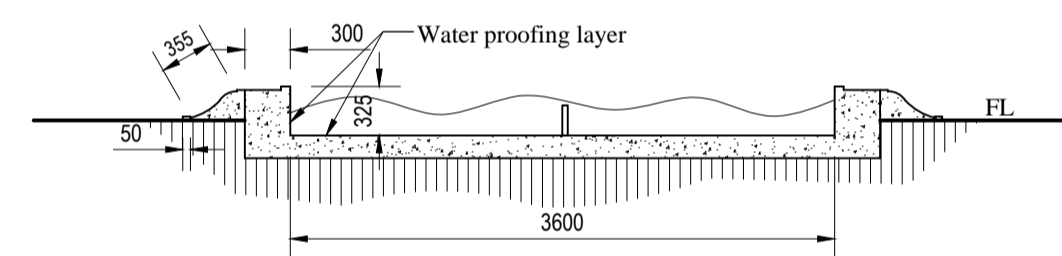
SITE PLAN
NOT TO SCALE



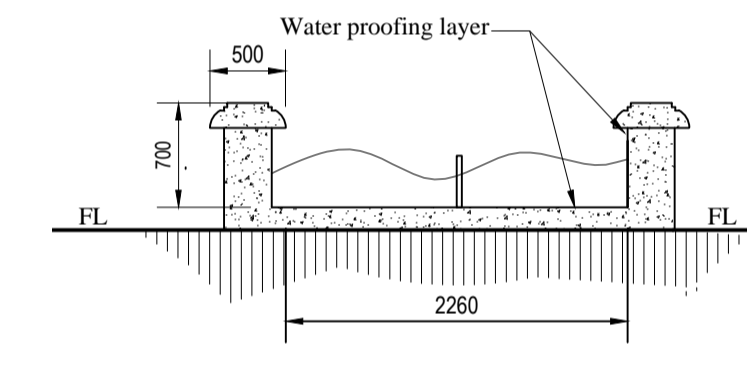
SECTION A - A
SCALE 1:50



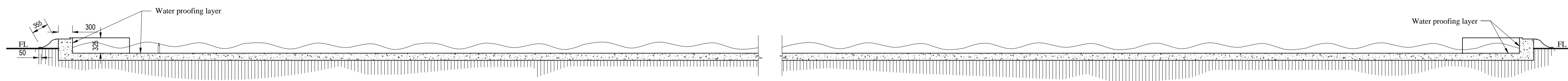
PLAN - F
SCALE 1:100



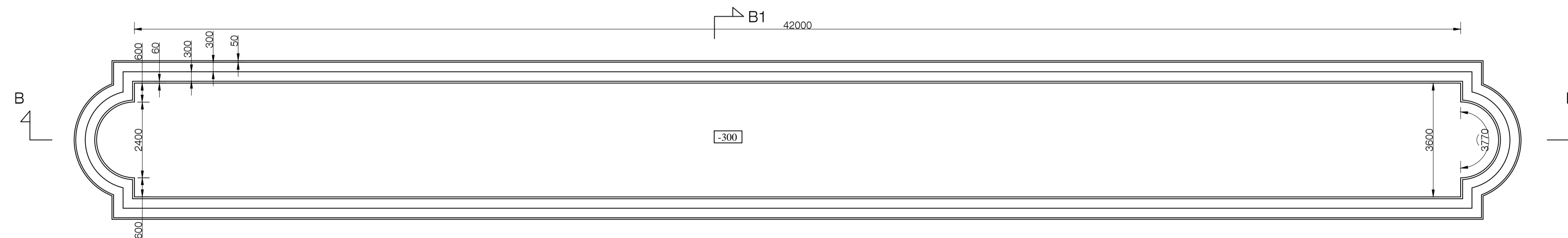
SECTION A1 - A1
SCALE 1:50



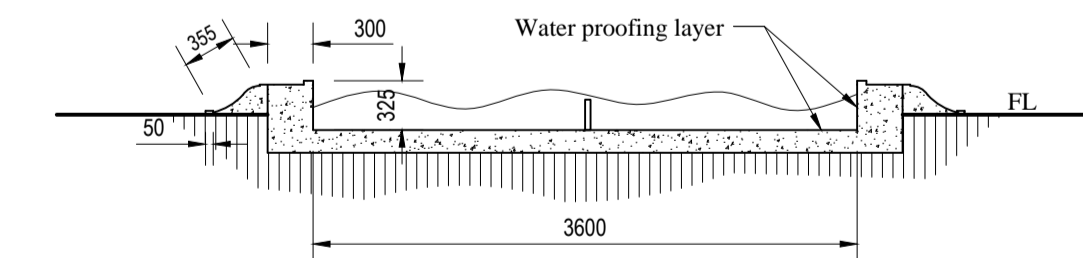
SECTION D - D
SCALE 1:50



SECTION B - B
SCALE 1:50



PLAN - E
SCALE 1:100



SECTION B1 - B1
SCALE 1:50

NOTE

- 1.This Drawing is a property of the Architectural unit of the M.Es Department.
- 2.This Drawing shall not be copied or Altered without the consent of the Architect.
- 3.This Drawing must not be scaled.
- 4.If any discrepancy or error is detected in the drawing it should be immediately brought to the notice of the Architect.
- 5.This Drawing should be read in conjunction with structural drawings & all service drawings and any other drawings.
6. Any construction work carried out not in accordance with the information in the drawing will be rejected by the the Architect.

ORIGINAL

**COLOMBO MUNICIPAL COUNCIL
MUNICIPAL ENGINEER'S DEPARTMENT**

Job title
**PROPOSED RENOVATION TO
EXISTING PONDS AT
VIHARAMAHADEVI PARK ,
COLOMBO - 07.**

Drawing title
PLANS, SECTION.

PROJECT ARCHITECT	S.U.B.DOLAPHILLA
PROJECT ENGINEER	W.M.P.KUMARA
SENIOR ARCHITECT	S.U.B.DOLAPHILLA
CHIEF ARCHITECT	M.C.L.FERNANDO
DIRECTOR (Eng./ TDRS)	DIRECTOR
D.M.C.(Eng.services.)	Y.SILVESTER

SCALE	DRAWN	CHECKED	Chavinda Senarathne
1:100	T.M.L.R.Thennakoon	D.O.A.	
1:50		ACT.	Chavinda Senarathne
JOB NO.	SHEET NO.	REVISION SUFFIX	
2021/08	01/01	DATE : 29-04-2021	

CLIENT DEPT.AUTHORIZED OFFICER'S NAME	DATE
CLIENT SIGNATURE	DESIGNATION