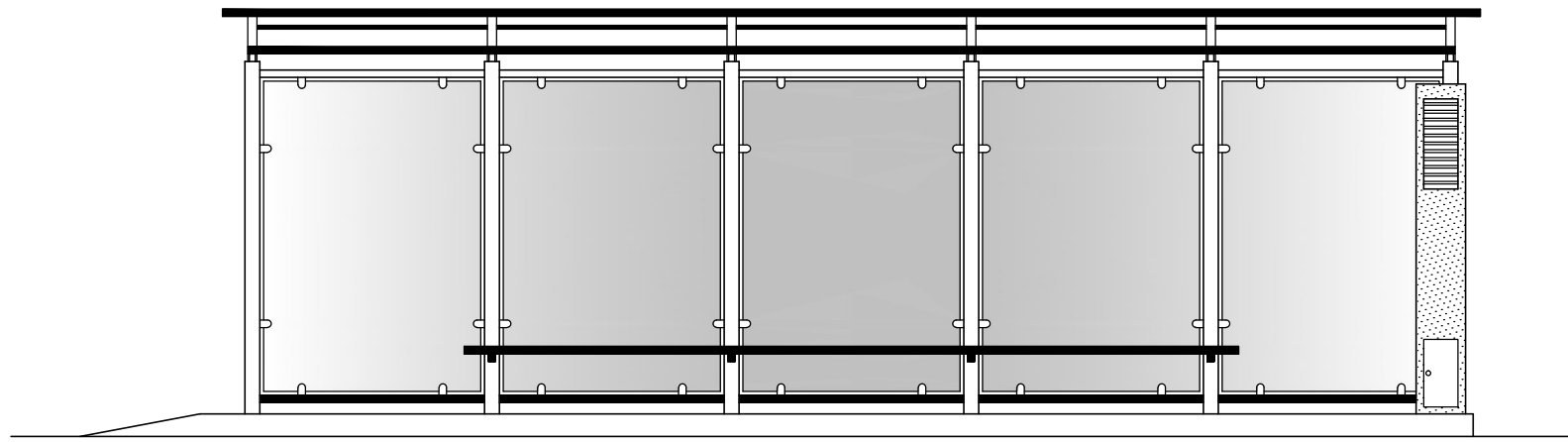


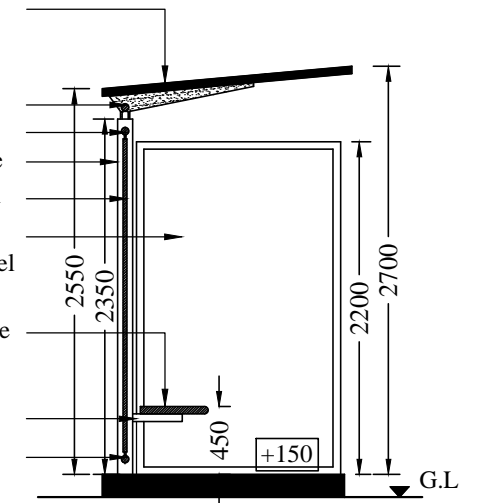
**ORIGINAL**



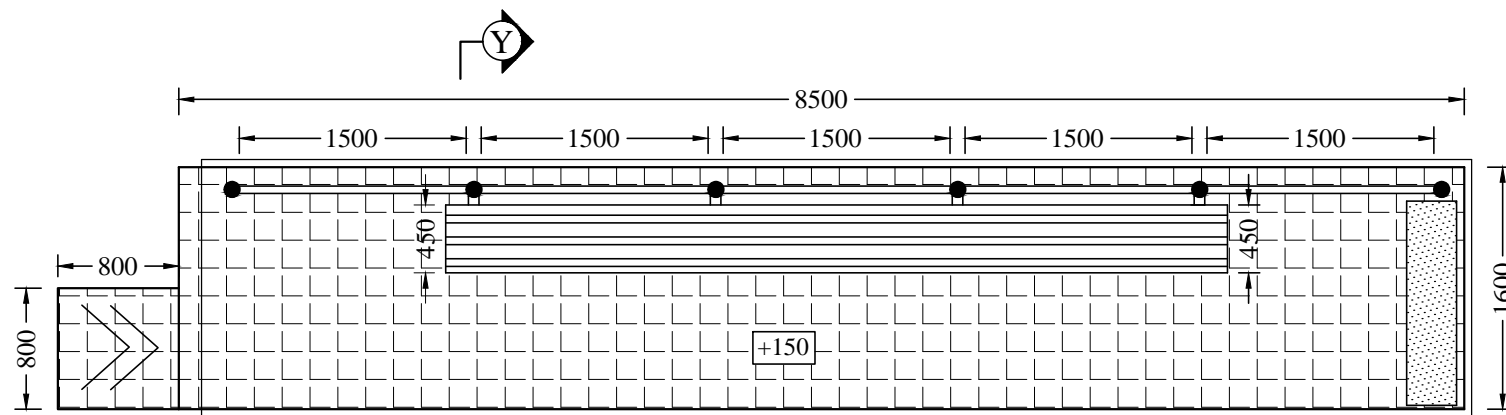
**FRONT ELEVATION**

Frame work & sheet 200mm  
sunlight mutiwall polycarbonate  
standing seam architectural system  
blue to 5° slope

- 50mm Ø iron bar
- 50mm Ø iron bar
- Fascia 150Ø GI pipe
- Back panel for photograph
- 12mm tempered safety glass panel
- 25mm Timber composite bench seating
- 50mm Ø GI box bar
- 50mm Ø iron bar

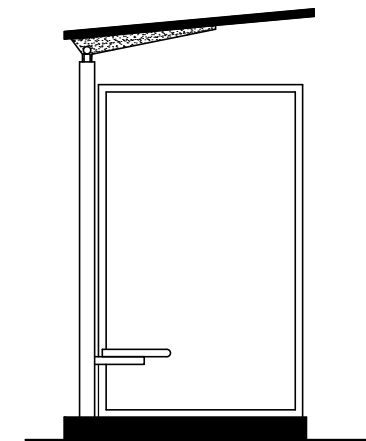


**SECTION Y-Y**



**PLAN**

Scale :- 1:50



**SIDE ELEVATION**



**TYPICAL DETAIL OF EXISTING BUS SHELTER**

MUNICIPAL ENGINEER'S DEPARTMENT  
COLOMBO MUNICIPAL COUNCIL,  
TOWNHALL, COLOMBO 07

DRAWN BY-  
W.A.L.N.C.WELIVITA  
DATE - 07.04.2022

DESIGNED BY:  
ENGINEER DESIGN

CHECKED BY:  
D.D (TRAFFIC & HIGHWAY DESIGN)

RECOMMENDED BY:

DIRECTOR ENG. (TDRS)

D. M. C. (ENG. SERVICE)

REVISION	ISSUED FOR	DATE	BY	AUTHORITY
DWG. No.	TH/2021/			SCALE - 1:500