

**DUPLICATE**

• Section - 7

• **BILLS OF QUANTITIES**

- 1. Include Preliminary Bill items as Bill No. 1**
- 2. VAT Component shall be filled in Bills of Quantities and it shall not be carried to Form of Bid.**
- 3. Any discount offered will not be considered for Provisional Sum Items**



**COLOMBO MUNICIPAL COUNCIL**  
**MUNICIPAL ENGINEERS' DEPARTMENT**

**DUPLICATE**

37

Construction of drain system at Kelanigaga Mola Road , Colombo 15 (Near Mosque to Camp waththa)

ITEM	DESCRIPTION	UNIT	QTY.	RATE	AMOUNT
1.0	<p>Bill No 01</p> <p>Preliminaries</p> <p>Note : All the items below, rate included for supplying of materials.</p>	Item	Allow	Sum	
2.0	<p>Bill No 02</p> <p>Note :- Road Cutting Permit should be taken by the contractor from the Central Road Maintenance Unit (CRMU) of CMC)</p>				
2.1	<b>TEMPORARY REINSTATEMENT</b>				
2.1.1	<p>Removing of pre-mixed surface and temporary reinstate dealing with all existing utility services.</p> <p>Note: Permanent reinstatement should be done by CRMU of CMC and reinstatement cost has to be paid to CRMU separately by the contractor</p>	m <sup>2</sup>	116.90		
2.2	<b>PERMANENT REINSTATEMENT</b>				
2.2.1	Permanent reinstatement of damage bitumen surface in pre- mixed road .		Provisional sum		725,000.00
2.3	<b>DRAIN WORK</b>				
2.3.1	<p>Construction of 300mm sized internal dimension reinforced concrete rectangular open drain with 50mm screed 1:3:6 (20mm) cement concrete and 150mm thick base, and 150mm thick walls Grade 25 concrete . Wall should have satisfactory smooth finished and plastering not allowed. Rate shall included for excavation, removal of excess earth, preparation of surface ,backfilling and compaction with suitable available material 150mm thick compacted layers and necessary formwork , reinforcement , and Grade 20 concrete for benching of drain base . Drain depth varies according to the LS. Shoring work included to the rate .Refer the drawing No ME/DR/WC/ST/01/2021-3</p>				

36

ITEM	DESCRIPTION	UNIT	QTY.	RATE	AMOUNT
2.3.1.1	Invert depth not exceeding to 0.5m	Lm	19.20		
2.3.1.1	Invert depth not exceeding to 1m	Lm	15.00		
2.3.2	Construction of 450mm sized internal dimension reinforced concrete rectangular open drain with 50mm screed 1:3:6 (20mm) cement concrete and 150mm thick base, and 150mm thick walls Grade 25 concrete. Wall should have satisfactory smooth finished and plastering not allowed. Rate shall included for excavation, removal of excess earth, preparation of surface, backfilling and compaction with suitable available material 150mm thick compacted layers and necessary formwork, reinforcement, and Grade 20 concrete for benching of drain base. Drain depth varies according to the LS. <b>Shoring work included to the rate. Refer the drawing No ME/DR/WC/ST/01/2021-4</b>				
2.3.2.1	Invert depth not exceeding to 1m	Lm	49.20		
2.3.3	Construction of 600mm sized internal dimension reinforced concrete rectangular open drain with 50mm screed 1:3:6 (20mm) cement concrete and 150mm thick base, and 150mm thick walls Grade 25 concrete. Wall should have satisfactory smooth finished and plastering not allowed. Rate shall included for excavation, removal of excess earth, preparation of surface, backfilling and compaction with suitable available material 150mm thick compacted layers and necessary formwork, reinforcement, and Grade 20 concrete for benching of drain base. Drain depth varies according to the LS. <b>Shoring work included to the rate. Refer the drawing No ME/DR/WC/ST/01/2021-5</b>				
2.3.3.1	Invert depth not exceeding to 1m	Lm	33.50		
2.4	<b>COVER SLAB</b>				
2.4.1	Casting, curing & placing of 450x600x150mm Gr 25 concrete including 10mm Tor steel r/f @ 150 c/c Both ways including for necessary form work as per drawing No ME/DR/WC/ST/01/2021-3	Nos	77.00		

DUPLICATE

ITEM	DESCRIPTION	UNIT	QTY.	RATE	AMOUNT
2.4.2	Casting ,curing & placing of 450x750x150mm Gr 25 concrete including 10mm Tor steel r/f @ 150 c/c Both ways including for necessary form work as per drawing No - ME/DR/WC/ST/01/2021-4	Nos	111.00		
2.4.2	Casting ,curing & placing of 450x900x150mm Gr 25 concrete including 10mm Tor steel r/f @ 150 c/c Both ways including for necessary form work as per drawing No - ME/DR/WC/ST/01/2021-5	Nos	76.00		
2.5	<b>DEMOLITION WORK</b> Demolishing of existing storm water drain	Item	Allow	Sum	
2.6	<b>TEMPORARY DIVERSION OF STROM WATER LINE</b> Storm water diversion during the construction period			Provisional Sum	50,000.00
2.7	<b>CONNECTIONS</b> Allow for connection of Proposed storm water line to existing Strom water drain.	Item	Allow	Sum	
2.8	<b>PROTECTION OF OTHER SERVICES.</b> Protection of other services. (Rate shall include for precautions to these service lines or diverting them and repairs to structures if it is damaged due to costruction processes.)			Provisional sum	500,000.00
2.9	<b>AS BUILT DRAWING</b> Submission of as built drawing indicating the ground level,invert level and lacion of the manholes and alingment of the drain with respect to the national coordinates.	Item	Allow	Sum	
<b>TOTAL BILL NO 2.0</b>					

SUMMARY	
Bill No 01	
Bill No 02	
Sub Total	
10% Contingencies	
5% Price Fluctuation	
Grand Total	
8% VAT	
<b>Project Amount</b>	

**DUPLICATE**

Bidders's Signature  
.....

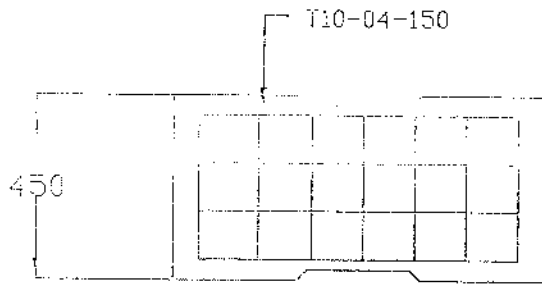


**DUPLICATE**

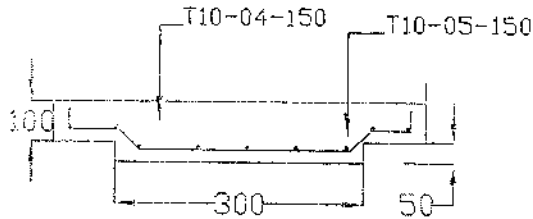
**Section -8**  
**DRAWINGS**



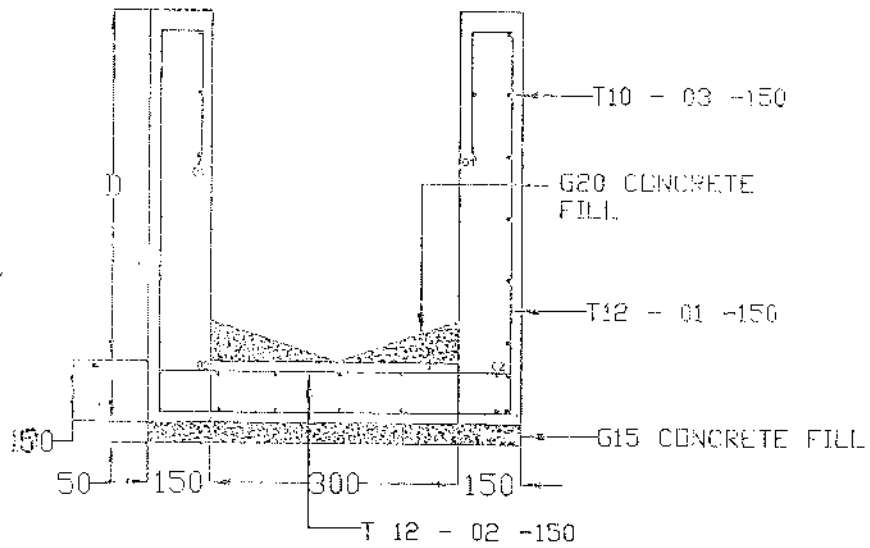




**DUPLICATE**



**COVER SLAB DETAIL**



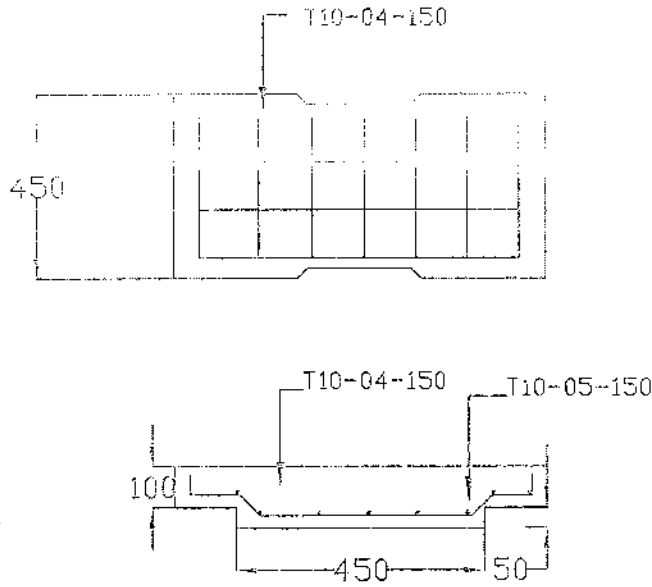
**300mm OPEN DRAIN SECTION**

NOTE  
ALL DIMENSIONS ARE IN MILLIMETERS

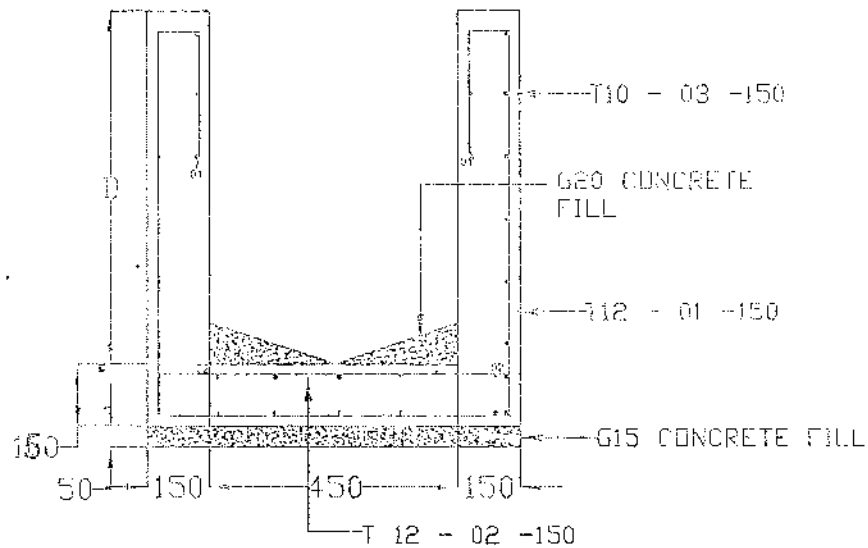
DRAWING TITLE : STORM WATER DRAIN 300 mm  
( Cover Slab)

DRAWN BY	M.A.L.A Dias (Technical Officer)
DESIGN BY	S.P.C Ilukumbura (Eng.Design)
CHECKED BY	N.D Wijethilaka (D.Eng. Design)
APPROVED BY	R.A.D.P.Ranawake(Director Drainage)
DATE	07/02/2021
DRAWING NO	ME:DRWD/STW/2021-5

**DUPLICATE**



**COVER SLAB DETAIL**



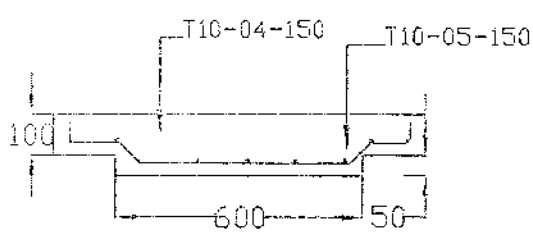
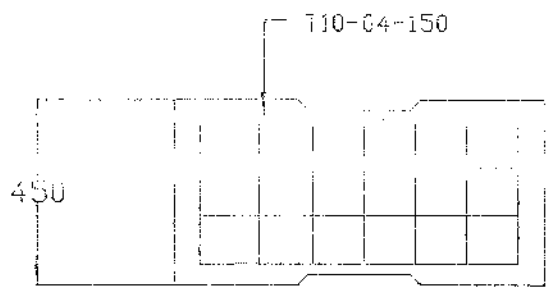
**450mm OPEN DRAIN SECTION**

**NOTE**  
ALL DIMENSIONS ARE IN MILLIMETERS

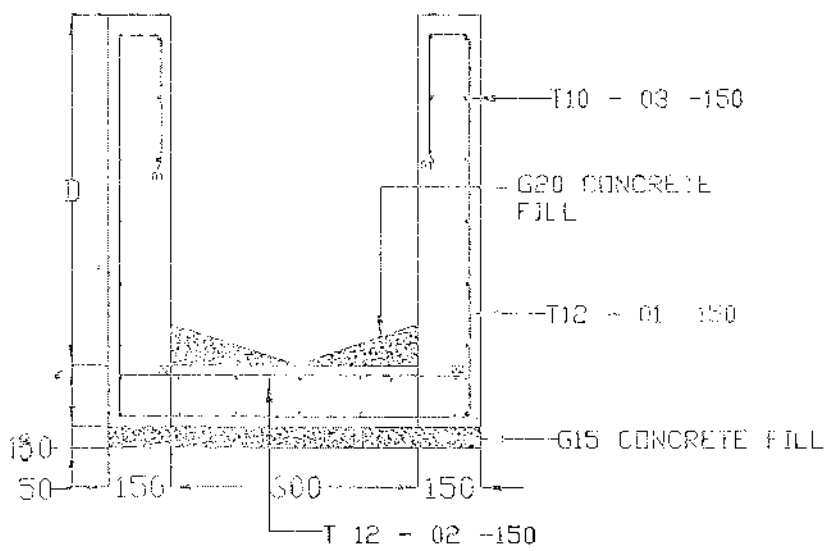
**DRAWING TITLE : STORM WATER DRAIN 450 mm  
( Cover Slab)**

DRAWN BY	M.A.L.A Dias (Technical Officer)
DESIGN BY	S.P.C Ilakkumbura (Eng.Design)
CHECKED BY	N.D Wijethilaka S.D.Eng. Design
APPROVED BY	R.A.D.P Ranarake(Director Drainage)
DATE	08/02/2021
DRAWING NO	ME/DRAW/ST/01/2021-4

**DUPLICATE**



**COVER SLAB DETAIL**



**600mm OPEN DRAIN SECTION**

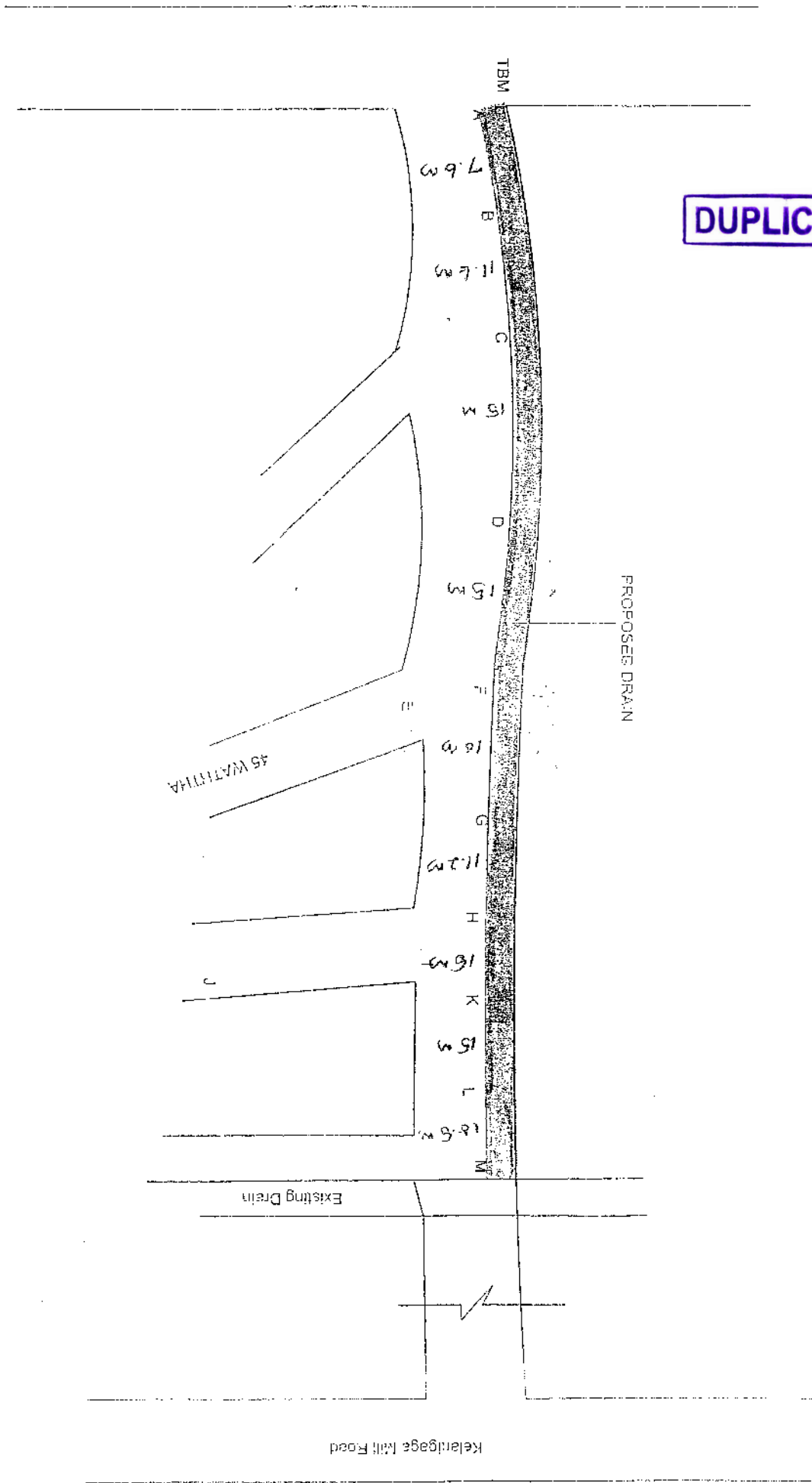
**NOTE**  
ALL DIMENSIONS ARE IN MILLIMETERS

**DRAWING TITLE : STORM WATER DRAIN 600 mm  
( Cover Slab)**

DRAWN BY	M.A.L.A Dias (Technical Officer)
DESIGN BY	S.P.C Ilakkumbura (Eng.Design)
CHECKED BY	N.D Wijethilaka D.D.Eng. Design
APPROVED BY	R.A.D.P.Ranavake(Director Drainage)
DATE	08/02/2021
DRAWING NO	ME/DRAW/ST/01/2021-5



**DUPLICATE**



PROJECT : REPAIRING STROM WATER DRAIN AT  
 KELANGAGA MOLA ROAD, COLOMBO 015 ( NEAR  
 THE MOSQUE TO CAMP WATTIHA)

1. DRAWING  
 TITLE : Excavation

Legend

DRAWN BY	M.A.L.A. DING (PO)
DESIGNED BY	S.P.C. (Senior Lecturer (Civil Engineering))
CHECKED BY	N.P. M. (Senior Lecturer (Civil Engineering))
APPROVED BY	P.A.T. P. (Senior Lecturer (Civil Engineering))
DATE	08/02/2024

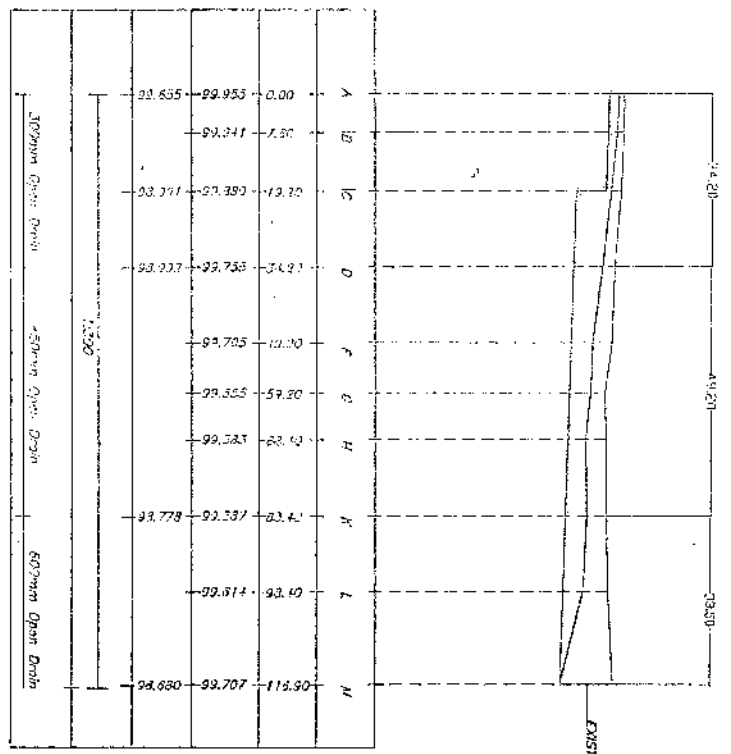
1:100  
 1:5000

**DUPLICATE**

1020  
1010  
1000  
990  
980  
970  
960  
950

DATA 23.03

POINT	.
DISTANCE (m)	.
GROUND LEVEL (m)	.
PROPOSED INVERT LEVEL (m)	.
SLOPE	.
REMARK	.



PROJECT : REPAIRING STRON WATER DRAIN AT  
KELANIGAGA MOLA ROAD , COLOMBO 05 ( NEAR  
THE MOSQUE TO CAMP WATTHA)

DRAWING TITLE : 1.5

DATE: / /  
DRAWN BY: / /  
CHECKED BY: / /

DESIGNED BY: / /  
DRAWN BY: / /  
CHECKED BY: / /  
DATE: / /

SCALE: 1:100  
DATE: / /