

DUPLICATE

PIA

• Section - 7

• **BILLS OF QUANTITIES**

- 1. Include Preliminary Bill items as Bill No. 1**
- 2. VAT Component shall be filled in Bills of Quantities and it shall not be carried to Form of Bid.**
- 3. Any discount offered will not be considered for Provisional Sum Items**

DUPLICATE

113 13 9+

REPAIRING DRAIN SYSTEM AT ELIAS PLACE, SIRI DHAMMA MAWATHA, COLOMBO 09.

ITEM	DESCRIPTION	UNIT	QTY	RATE	AMOUNT(Rs.)
	Bill No 01				
1.0	Preliminaries				
1.1	Provisional sum for providing Performance security.		Provisional sum		7,500.00
1.2	Provisional sum for providing an Advance Payment security.		Provisional sum		30,000.00
1.3	Provisional sum for insurance of the works, Machinery & equipment, Plant, Materials, third party persons & property and Employer's personnel & property at site as per contract.		Provisional sum		25,000.00
1.4	Provisional sum for insurance of against accident and injury to contractor's personnel as per the contract.		Provisional sum		50,000.00
	Contractor's Facilities				
1.5	Allow lump sum for constructing, maintaining, dismantling and removal on completion of the works, a temporary site office of adequate size including staff rest room and toilets and other facilities for the contractor's site management staff in accordance with the plans prepared by the Contractor and concurred by the Engineer.	Item			
1.6	Allow lump sum for constructing, maintaining, dismantling and removal on completion of the works, building to be used as workshops and stores for perishable materials. Buildings shall be constructed in accordance with the drawing prepared by the Contractor and concurred by the Engineer. The lump sum shall also include for altering, modifying or dismantling and re-erecting within the site all temporary buildings/structures if required.	Item			
1.7	Allow lump sum for constructing, maintaining, dismantling and removal on completion of the works, temporary building to be in accordance with the plans prepared by the Contractor and concurred by the Engineer to accommodate by the following: a) Workers' rest room, canteen facilities, kitchen b) Toilet & wash areas. c) Sick/First - Aid room d) Accommodation for Contractor's staff and workmen including sanitary facilities on site of applicable. Facilities to workmen shall conform to the latest public health and industrial regulation.	Item			

DUPLICATE

12
112-30

ITEM	DESCRIPTION	UNIT	QTY	RATE	AMOUNT(Rs.)
1.8	Allow lump sum for providing Accomadation including sanitary facilities and transport Contractor's staff and workment off site.	Item			
1.9	Allow lump sum for providing telephone and facsimile facilities, electricity and water services for the contractor's site office for their use in connection with the works.	Item			
1.10	Allow lump sum for maintenance, rental, consumption charges etc. for telephone and facsimile facilities, electricity and water services for the contractor's site office for their use in connection with the works.	Item			
	<u>SETTING OUT</u>				
1.11	Allow lump sum for employing a licensed land surveyor to define the bulding site work stc.,check levels and carry out such other surveys as may be necessary to establish accurately the placing of forms and pouring of concrete and all other setting out in both vertical and horizontal plane.	Item			
1.12	Allow lump sum for setting out of works in accordance with drawing and other written information given by the Engineer.	Item			
	<u>QUALITY, STANDARDS & PROGRESS</u>				
1.13	Allow Lump sum for provision of progress report photographic record and other schedules including in the ICTAD publication-Guideline for Effective Construction Management. (ICTAD/CM/01), relevant to contract administration as directed by the Engineer.	Item			
1.14	Allow lump sum for all cost in connection with preparing samples for testing, making arrangement for testing of materials, goods etc, as stipulated in the specification, obtaining test reports and submitting the same to the Engineer.	Item			
1.15	Allow lump sum for provision of shop drawings, bar schedules etc.for Engineer's approval.	Item			
	<u>Health, Safety & Environment</u>				
1.16	Allow lump sum for following services throughout the period of costruction for Engineer's office, contracor's site office and worker's rest room and other facilities;	Item			

DUPLICATE

(111) H 27

ITEM	DESCRIPTION	UNIT	QTY	RATE	AMOUNT(Rs.)
	a) Employing Workmen to clean and maintain all areas to be in good hygienic conditions including toilets, wash areas, kitchen etc. rest room, canteen facilities, kitchen				
	b) Supplying adequate drinking water, water for washing purposes, soap, detergent, etc. throughout the period of construction.				
1.17	Allow Lump sum for providing all necessary safety measures to workmen at site conforming to the latest industrial safety regulation and as directed by the Engineer.	Item			
1.18	Allow Lump sum for demobilization, removal of all rubbish & debris and clearing up site on completion, leaving all in good order and handing over.	Item			
1.19	Allow Lump sum for employing an adequate number of security personnel and security system on full time basis throughout the period of construction, and provide for necessary security lighting and a warning system.	Item			
1.20	Allow lump sum for providing and maintaining necessary fencing, hoarding, and gates for safeguarding the works, materials and plant as directed by the Engineer.	Item			
1.21	Allow lump sum for stamp duty in accordance with the prevailing regulations of the Government.	Item			
1.22	Allow lump sum for providing and maintaining a name board to the specifications and/or directed by the Engineer.	Item			
Total carried over to summary					

DUPLICATE

116 10

ITEM	DESCRIPTION	UNIT	QTY	RATE	AMOUNT(Rs.)
2.0	<p>Note : All the items below, rate included for supplying of materials.</p> <p>Bill No 02</p> <p>Note :- Road Cutting Permit should be taken by the contractor from the Central Road Maintenance Unit (CRMU) of CMC)</p>				
2.1	DEMOLITIONS				
2.1.1	Removing of existing desilting drain debris away from work site	Item	Allow	Sum	
2.2	DRAIN WORK				
	Item shall include excavation, removal of excess earth, preparation of surface,form work, shoring,dewatering backfilling and compaction with suitable available material 150mm thick compacted layers. Lay & join to complete working order.				
2.2.1	HALF ROUND DRAIN				
	Providing and placing 50mm thick 1:3:6 (25mm) screed concrete and 150mm thick 1:2:4(20mm) grade 20 concrete bed to place 600mm Dia. Single reinforced half round channels fixed with 1:2 cement : sand plaster to approved gradient. rate shall include for raise the walls in both sides with grade 20 concrete . As per the Drawing No.ME/DR/WC/ST/03/2021/DR-03				
2.2.1.1	Invert depth not exceeding 1.0 m	Lm	142.5		
2.2	COVER SLABS				
2.3.1	Casting, curing and placing of 900x450x125mm dimension 1:2:4(20)RCC cover slabs.(As per the detail Drawing No. ME/DR/WC/ST/03/2021/DR-03	Nos	309		
2.3.2	Casting, curing and placing of 900x450x125mm dimension 1:2:4(20)RCC cover slabs with Asphalt layer on top.(As per the detail Drawing No. ME/DR/WC/ST/03/2021/DR-03	Nos	8		

DUPLICATE

109

ITEM	DESCRIPTION	UNIT	QTY	RATE	AMOUNT(Rs.)
2.4	TEMPORARY REINSTATEMENT				
2.4.1	Removing of tar paved road surface and temporary reinstate dealing with all existing utility services.	m ²	72.00		
2.5	PERMANENT REINSTATEMENT				
2.5.1	Permenent reinstatement of damage tar paved foot path.			provisional sum	870,000.00
2.6	TEMPORARY DIVERSION Item shall include temporary storm water diversion of existing flow during the construction period.	Item	Allow	Sum	
TOTAL BILL NO 2.0					

SUMMARY	
Bill No 01 Preliminaries	
Bill No 02	
Sub Total	
10% Contingencies	
Price Fluccuation 5%	
Grand Total	
8% VAT	
Project Amount	

Bidder's Signature :.....

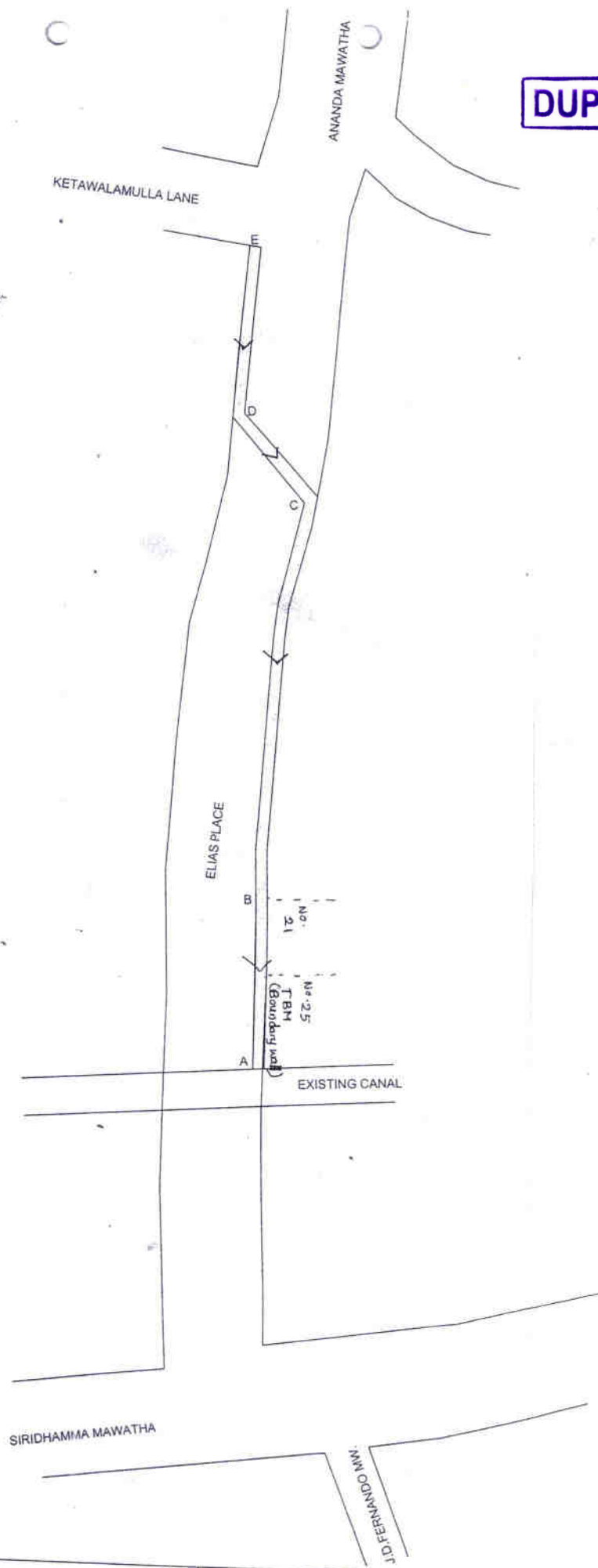
DUPLICATE

108

Section -8

DRAWINGS

DUPLICATE



PROJECT : REPAIRING DRAIN SYSTEM AT ELIAS PLACE
SIRI DHAMMA MAWATHA, COLOMBO -09.

DRAWING TITLE : LA-01

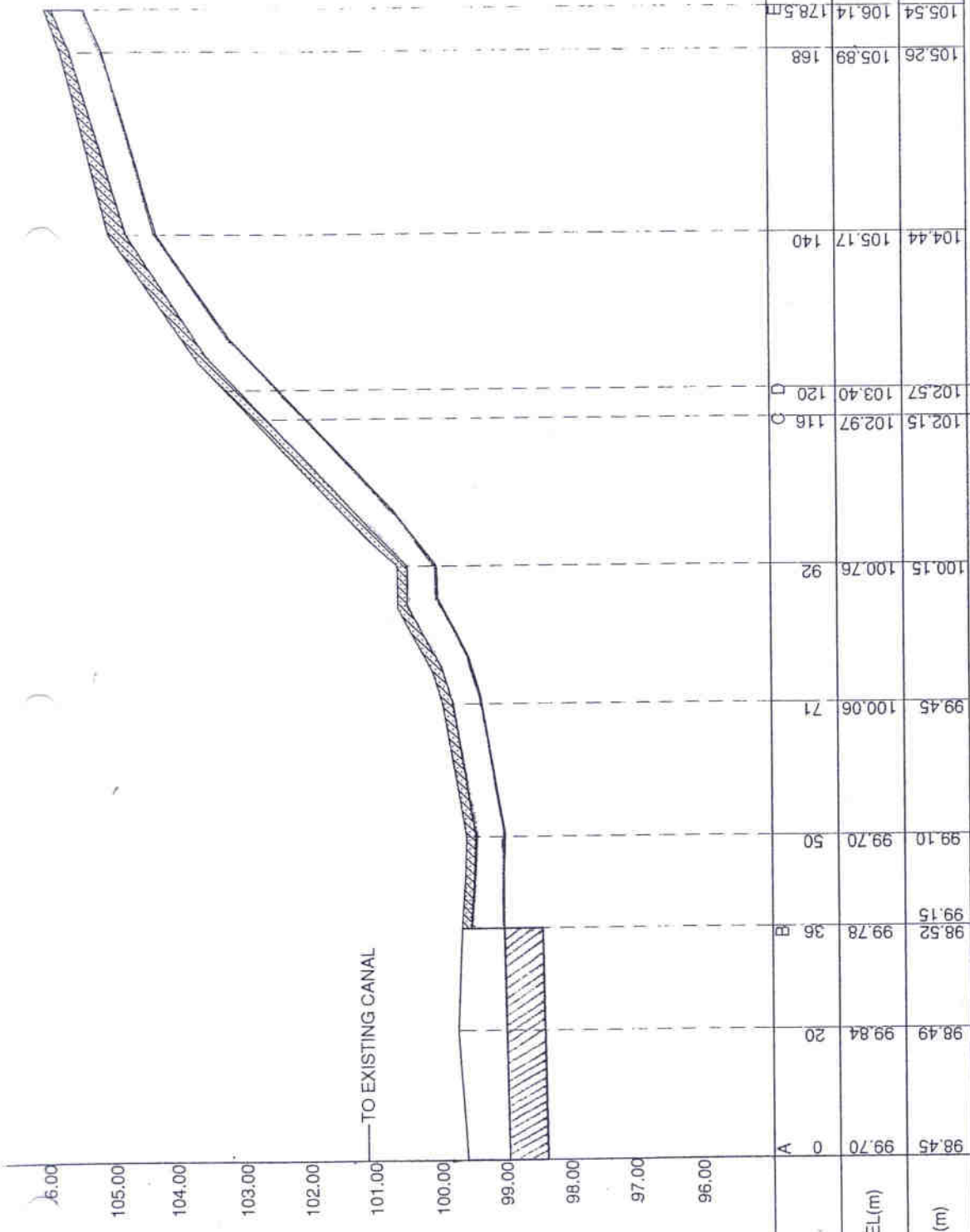
Legend

- PROPOSED DRAIN
- EXISTING DRAIN

DRAWN BY	D.J.G.H.A. DISSANAYAKE
DESIGNED BY	R. SANJEEVAN (ENG DESIGN)
CHECKED BY	(D.D. ENG. DESIGN)
APPROVED BY	R.A.T.P. RAMANANJ (DIRECTOR DRAINAGE)
DATE	11/02/2011
DRAWN No	ME/DRAWG/ST/032011/01

107

DUPLICATE



	COVER	BASE	APPROX.	LEVEL				
DATUM	95.00							
DISTANCE(m)	0	20	36	50	71	92	140	178.5m
EXISTING LEVEL(m)	99.70	99.84	99.78	99.70	100.06	100.76	105.17	106.14
PROPOSED IL (m)	98.45	98.49	98.52	99.10	99.45	100.15	104.44	105.54

600MM OPEN DRAIN WITH COVER SLABS

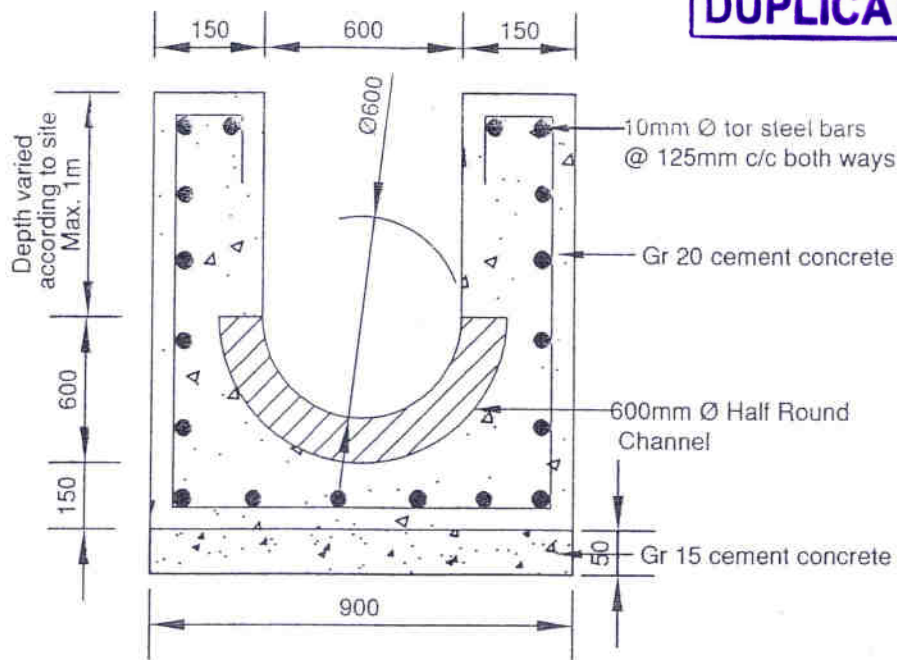
GRAVITY SLOPE

REPAIRING DRAIN SYSTEM AT ELIAS PLACE, SIRI DHAMMA MAWATHA,
COLOMBO 09

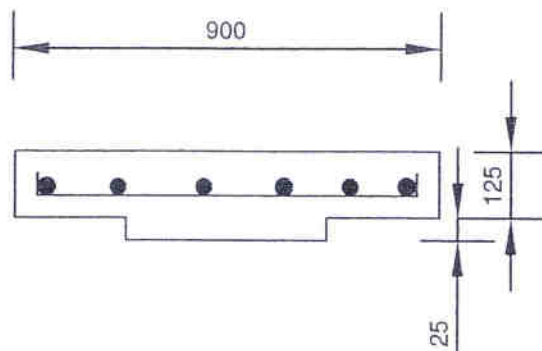
DESIGNED BY	PROPOSED DRAIN	DATE
CHECKED BY	EXISTING STORM WATER / INF	
APPROVED BY		
DRAWN BY		

106

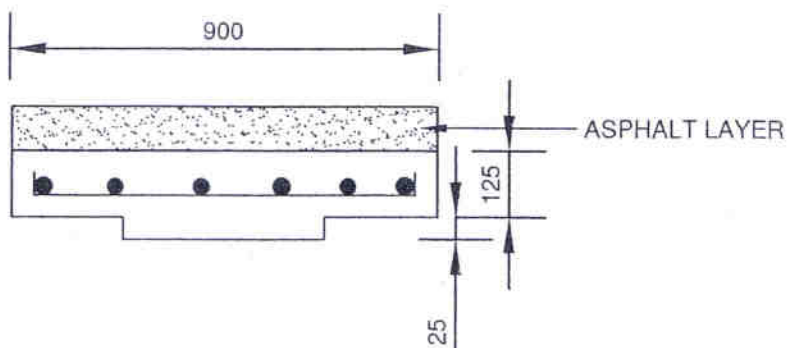
DUPLICATE



SECTION OF HALF ROUND CHANNEL



COVER SLAB



COVER SLAB(C-D) SECTION

NOTE
ALL DIMENSIONS ARE IN MILLIMETERS
NOT TO SCALE

PAIRING DRAIN SYSTEM AT ELIAS
PLACE, SIRI DHAMMA MAWATHA,
LONBO 09.

DRAWING TITLE: HALF ROUND
DRAIN WITH COVER SLAB

DRAWN BY	H.A.DISSANAYAKE
CHECKED BY	R.SANJEEVAN,(ENGDDESIGN)
APPROVED BY	N.D.WIJETHILAKE(D.DIR.DESIGN)
SCALE	NOT TO SCALE
DATE	12.02.2021
DRAWN NO	ME/DRWC/ST/03/2021/DR-03

DUPLICATE

SECTION 9
STANDARD FORMS (BID)

Note:

It is the responsibility of bidders to comply with all the requirements given in the bidding document. Failure to non compliance with any of the may be a reason for rejection of the bid.

Notes on Standard Forms:

- Bidders shall submit the completed form of bid security/Bid Securing Declaration as appropriate in compliance with the requirements of the bidding documents.
- Bidders should not complete the Form of Agreement at the time of preparation of bids.
- The successful bidder will be required to sign the Form of Agreement, after the award of contract.
- Any corrections or modifications to the accepted bid resulting from arithmetic corrections, acceptable deviations, or quantity variations in accordance with the requirements of the bidding documents should be incorporated into the Agreement.
- The Form of Performance security, Form of Advance Payment Security and Form of Retention Money Guarantee should not be completed by the bidders at the time of submission of bids.
- The successful bidder will be required to provide these securities in compliance with the requirements herein or as acceptable to the Employer.

FORM OF BID SECURITY

----- [insert issuing agency's name, and address of issuing branch or office]

Beneficiary :Municipal Commissioner, Colombo Municipal Council, Town Hall, Colombo 7

Date :----- [insert (by issuing agency) date]

BID GUARANTEE No: ----- insert (by issuing agency) number]

We have been informed that ----- [insert (by issuing agency) name of the Bidder] (hereinafter called "the Bidder") has submitted to you its bid dated -----] insert (by issuing agency) date] (hereinafter called "the Bid") for improvements to ----- (insert name of contract)for Bids No. ----- (insert reference number of the bid).

Furthermore, we understand that, according to your conditions, Bids must be supported by a Bid Guarantee.

At the request of the Bidder, we ----- [insert name of issuing agency] hereby irrevocably undertake to pay you any sum or sums not exceeding in total an amount of ----- [insert amount in figures] ----- [insert amount on words] upon receipt by us of your first demand in writing accompanied by a written statement stating that the Bidder is in breach of its obligation(s) under the bid conditions, because the Bidder:

- a) Has withdrawn its Bid during the period of bid validity specified; or
- b) Does not accept the correction of errors in accordance with the instructions to Bidders (hereinafter "the ITB"); or
- c) Having been notified of the acceptance of its Bid by the Employer during the period of bid validity, (i) fails or refuses to execute the contract Form, if required, or (ii) fails or refuses to furnish the Performance Security , in accordance with the ITB.

This Guarantee shall expire: (a) if the Bidder is the successful bidder, upon our receipt of copies of the Contract signed by the Bidder and of the Performance Security issued to you by the Bidder: or (b) if the Bidder is not the successful bidder, upon the earlier of the successful bidder furnishing the performance security; otherwise it will remain in force up to -----

Consequently, any demand for payment under this Guarantee must be received by us at the office on or before that date.

[signature(s) and name(s) of authorized representative(s)]

DUPLICATE

101

SECTION 10
Other documents