

✓

**ORIGINAL**

• Section - 7

• **BILLS OF QUANTITIES**

- 1. Include Preliminary Bill items as Bill No. 1**
- 2. VAT Component shall be filled in Bills of Quantities and it shall not be carried to Form of Bid.**
- 3. Any discount offered will not be considered for Provisional Sum Items**

ORIGINAL

**COLOMBO MUNICIPAL COUNCIL**  
**MUNICIPAL ENGINEER'S DEPARTMENT**

**PROJECT: REPAIRING DRAIN SYSTEM OF MAIN ROAD INFROT OF  
MADAMPITIYA CEMETERY AT G.NO:233, MAHAWATTA ROAD,  
COLOMBO-14.**

ITEM	DESCRIPTION	UNIT	QTY	RATE	AMOUNT
1.0	Bill No 01 Preliminaries  Note:- 1. All the items below rate included for supplying of materials. 2. Prior to do pricing the contractor is advised to do a detail inspection of the site.	Item	Allow	Sum	
2.0	Bill No.02  Bill No.2.1  Note :- Road Cutting Permit should be taken by the contractor from the Central Road Maintenance Unit (CRMU) of CMC				
2.1	<u>TEMPORARY REINSTATEMENT</u>				
2.1.2	Removing of pre-mixed surface and temporary reinstate dealing with all existing utility services.  Note: Permanent reinstatement should be done by CRMU of CMC and reinstatement cost has to be paid to CRMU separately by the contractor	m <sup>2</sup>	165.00		
2.2	<u>PERMANENT REINSTATEMENT</u>				
2.2.1	Permanent reinstatement of damage bitumen surface in pre- mixed road .			Provisional Sum	813,450.00

ITEM	DESCRIPTION	UNIT	QTY	RATE	AMOUNT
2.3	<b><u>DRAIN WORK</u></b>				
2.3.1	<p>Construction of 300mm sized internal dimension reinforced concrete rectangular open drain with 50mm screed 1:3:6 (20mm) cement concrete and 150mm thick base, and 150mm thick walls Grade 25 concrete . Wall should have satisfactory smooth finished and plastering not allowed. Rate shall included for excavation, removal of excess earth, preparation of surface ,Earth work support, dewatering backfilling and compaction with suitable available material 150mm thick compacted layers and necessary formwork , reinforcement , and Grade 20 concrete for benching of drain base . Drain depth varies according to the LS. Refer the drawing No.ME/DR/WC/ST/10/2021/03. Shoring work included to the rate .</p> <p>Invert depth not exceeding to 1.0m (For Drain Detail Refer Drawing No: ME/DR/WC/ST/10/2021/02)</p>	Lm	115.00		
2.3.2	<p>Construction of 450 mm width sized internal dimension reinforced concrete rectangular open drain with 50mm screed 1:3:6 (20mm) cement concrete and 150mm thick base, and 150mm thick walls Grade 25 concrete . Wall should have satisfactory smooth finished and plastering not allowed. Rate shall included for excavation, removal of excess earth, preparation of surface,Earth work support,backfilling, dewatering and compaction with suitable available material 150mm thick compacted layers and necessary formwork , reinforcement , and Grade 20 concrete for benching of drain base .Refer the drawing No.ME/DR/WC/ST/10/2021/04 .Shoring work included to the rate .</p> <p>Invert depth not exceeding to 1.0m (For Drain Detail Refer Drawing No: ME/DR/WC/ST/10/2021/02)</p>	Lm	50.00		

ORIGINAL

49  
13

ITEM	DESCRIPTION	UNIT	QTY	RATE	AMOUNT
2.4	<b>GULLY ( WITH GRATING ON TOP )</b> 500 x500 mm internal dimensions, 75mm thick base with 1:3:6(15) cement concrete &150 mm thick base and walls with 1:1 1/2:3(20mm) concrete rectangular gully. (Rate to include for excavation, back filling & compaction, form work). Concrete walls should have a satisfactory smooth finish. Supply & fix 600x600mm D400 type DI grating Frame comply with BS.EN .124 2015-D400 on top, and connection to drain as per the instructions. Drawing No. ME/DR/WC/ST/10/2021/05				
2.4.1	Invert depth 0.0 m - 1.0m (B TO POINT Q)	Nos.	9.00		
2.5	<b>GULLY CONNECTIONS</b>				
2.5.1	Item shall include excavation, shoring, removal of excess earth and debries , preparation of surface , dewatering, , backfilling and compaction with suitable available material 150mm thick compacted layers and 300 mm quarry dust filling on top of the PVC pipes lay and join to complete working order.				
2.5.1.1	Provide lay and joint spigot and socket 160 mm Ø grade 600 UPVC pipes to the existing Gully. Invert depth not exceeding 1.0 m	Lm	6.00		
2.7	<b>COVER SLAB</b>				
2.7.1	Supplying & laying of removable slab covers Gr.25(1:1 1/2:3)& 150mm tk.with 10mm tor steel bars @ 150mm c/c both ways , rate including necessary form work.(size -600x450x150mm). Refer Drawing No.-ME/DR/WC/ST/10/2021/03	Nos	256.00		



ITEM	DESCRIPTION	UNIT	QTY	RATE	AMOUNT
2.7.2	Supplying & laying of removable slab covers Gr.25(1:11/2:3)& 150mm tk.with 10mm tor steel bars @ 150mm c/c both ways , rate including necessary form work.(size -750x450x150mm). Refer Drawing No.-ME/DR/AB/ST/10/2021/04	Nos	110.00		
2.8	<b>CONCRETE</b>  100mm thick 460 mm width 1:2:4(20mm) cement concrete in bed and haunching including form work throughout the 160mm diameter pipes as per detailed drawing No.ME/DRWC/ST/10/2021/06	m <sup>3</sup>	17.00		
2.9	<b>PROTECTION OF OTHER SERVICES.</b>  protection of other services.( Rate shall include for precautions to these service lines or diverting them and repairs to structures if it is damaged	Item	Allow	Sum	
2.10	<b>TEMPORARY DIVERSION</b> Item shall include temporary storm water diversion of existing flow during the construction period.	Item	Allow	Sum	
<b>TOTAL of Bill No. 2.0</b>					

SUMMARY	
Bill No 01	
Bill No 02	
Sub Total	
10% Contingencies	
5% Price Fluctuation	
Grand Total	
8% VAT	
<b>Project Amount</b>	

**Bidder's Signature**

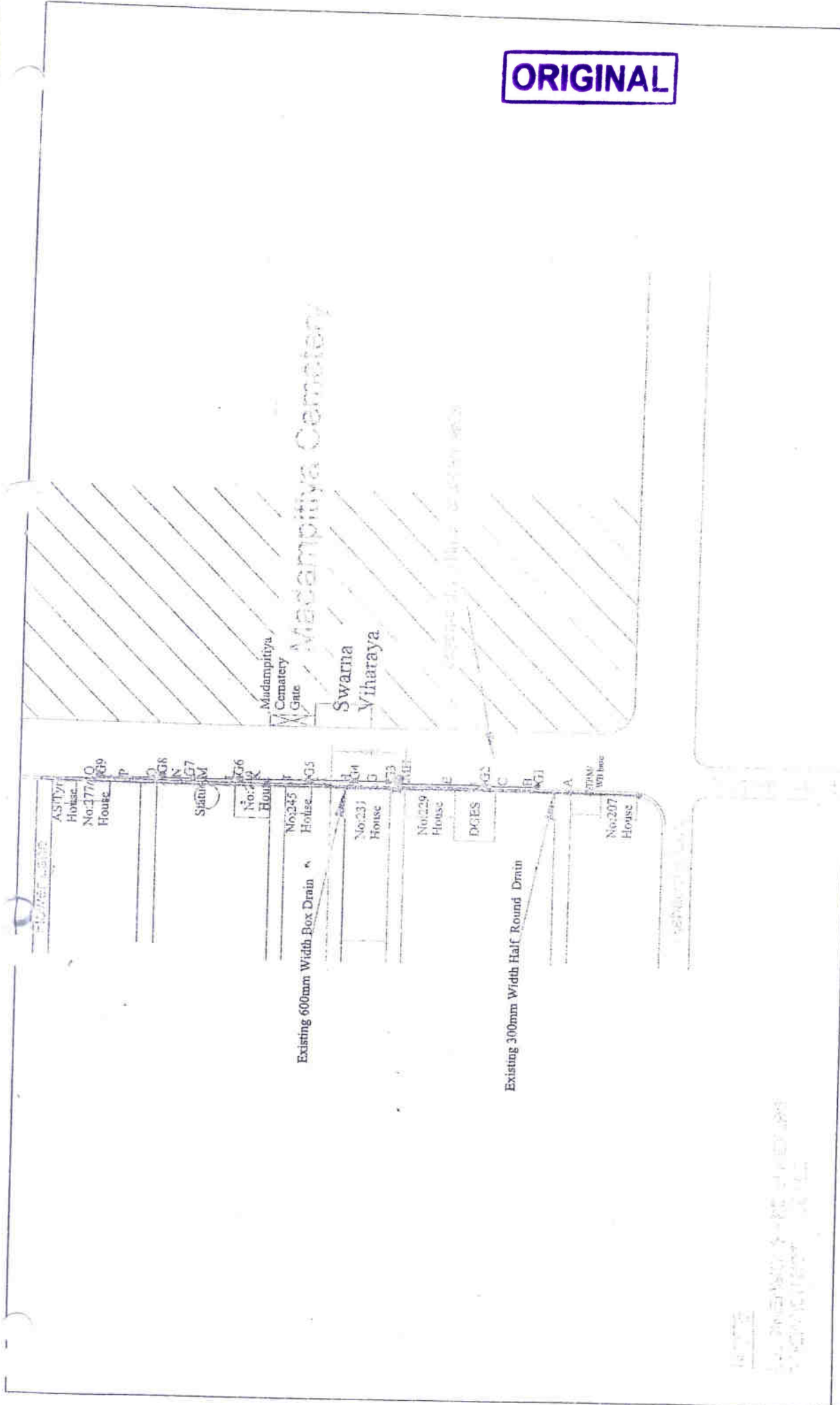
.....

6  
**ORIGINAL**

**Section -8**

**DRAWINGS**

**ORIGINAL**



**Legend**

	Existing Manhole
	Existing Drain
	Utility Pipe
	Catchpit

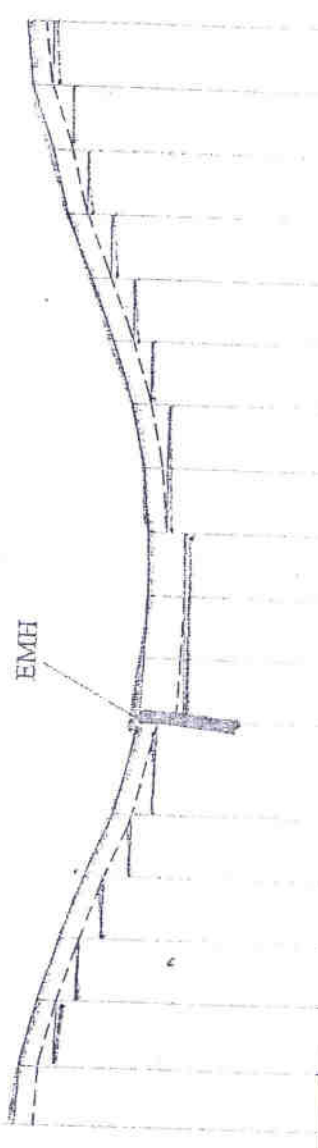
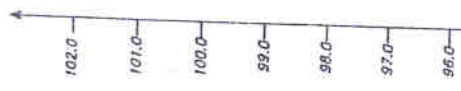
**DRAWING DETAIL LAYOUT**

**PROJECT :**  
 REPAIRING DRAIN SYSTEM OF MAIN ROAD INFROT  
 OF MADAMPITIYA CEMETERY AT G.NO:231,  
 MAHAWATTA ROAD, COLOMBO-14.

DRAWN BY	D.S.Vandana (TO)
DESIGNED BY	S. P. C. Illakkumbura (Eng. Director)
CHECKED BY	M.D. Wijethilake (D. Eng. Design)
APPROVED BY	P. A. T. P. Ranjitha (Director, Drainage)
DATE	27/02/2021
DRAWN NO	ME/DRP/NC/ST/16/2021/14

**ORIGINAL**

36



POINT	DISTANCE (m)	GROUND LEVEL (m)	INVERT LEVEL (m)	SLOPE	DRAIN DETAIL
TBM A	0.00	99.950	99.415		
B	20.00	99.705	99.100		
C	30.00	99.385	98.735		
D	40.00	99.030	98.385		
E	50.00	98.820	97.950		
F	65.00	98.240	97.525		
G	75.00	98.200	97.550		
H	85.00	98.170	97.570		
I	95.00	98.210	97.590		
J	105.00	98.315	97.930		
K	115.00	98.545	97.945		
L	125.00	98.885	98.220		
M	135.00	99.285	98.585		
N	145.00	99.700	98.995		
O	155.00	99.965	99.415		
P	165.00	100.335	99.690		
Q	175.00	100.480	99.720		

**PROJECT :**  
**REPAIRING DRAIN SYSTEM OF MAIN ROAD INFROT OF MADAMPITIYA CEMETERY AT G.NO:233, MAHAWATTA ROAD, COLOMBO-14.**

**DRAWING TITLE :** LS

**Legend**  
 --- Existing Ground Level  
 --- Proposed Drain  
 --- Existing Drain  
 --- Existing Manhole

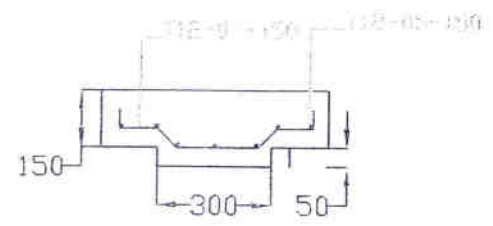
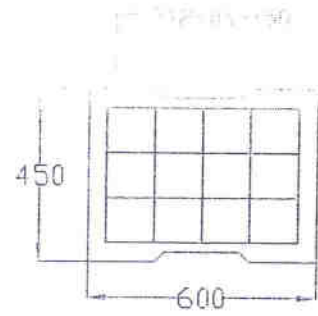
**Legend**  
 --- Existing Ground Level  
 --- Proposed Drain  
 --- Existing Drain  
 --- Existing Manhole

**DRAWN BY :** D. Senarathne (TD)  
**DESIGNED BY :** S.P.C. Lakshana (Eng. Design)  
**CHECKED BY :** H.D. Weerasinghe (D.D. Eng. Design)  
**APPROVED BY :** R.A.P. Ranawaka (Director, Colombo)  
**DATE :** 27/02/2021  
**DRAWING NO. :** ME/DRW/CS/110/2021/02

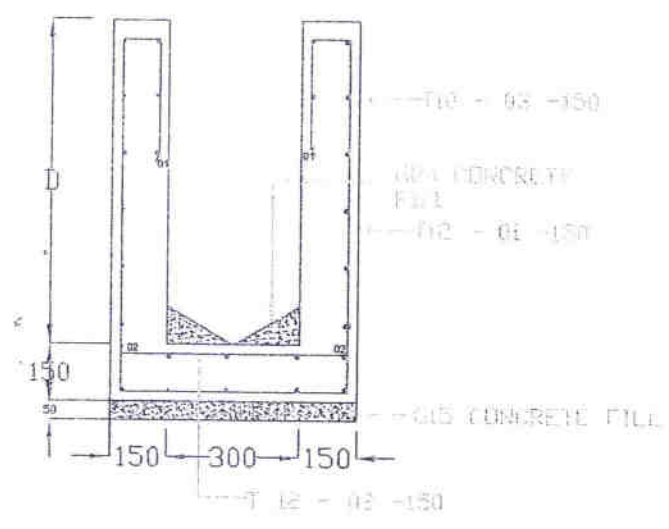




**ORIGINAL**



COVER SLAB DETAIL

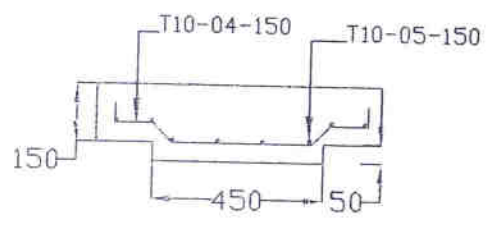
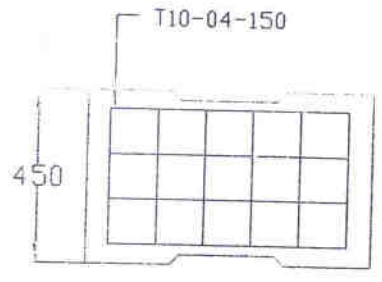


SECTION THROUGH DRAIN

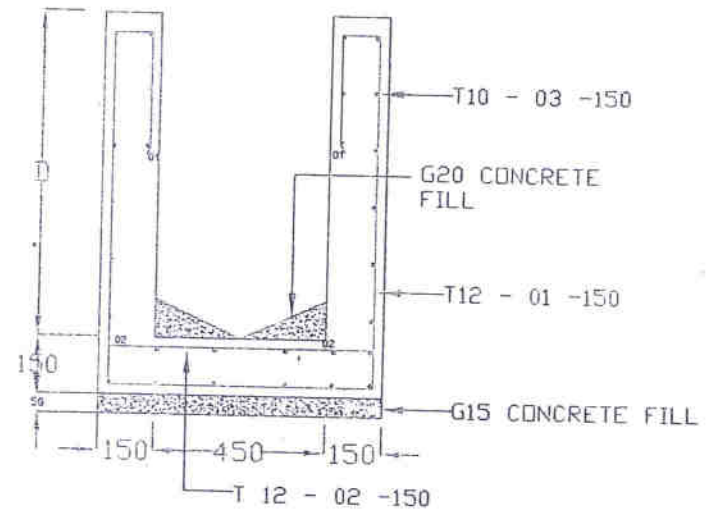
DRAWN BY	D.S.Vinodani (TO)
DESIGN BY	S.P.C. Ilukubura(Eng.Design)
CHECKED BY	N.D.Wijethilake (D.D.Eng. Design)
APPROVED BY	R.A.D.Ranavaka(Director Drainage)
DATE	01/03/2021
DRAWING NO	ME/DR/WC/ST/10/2021/03

27

**ORIGINAL**



CURTAIN WALL DETAIL



**450mm OPEN DRAIN SECTION**

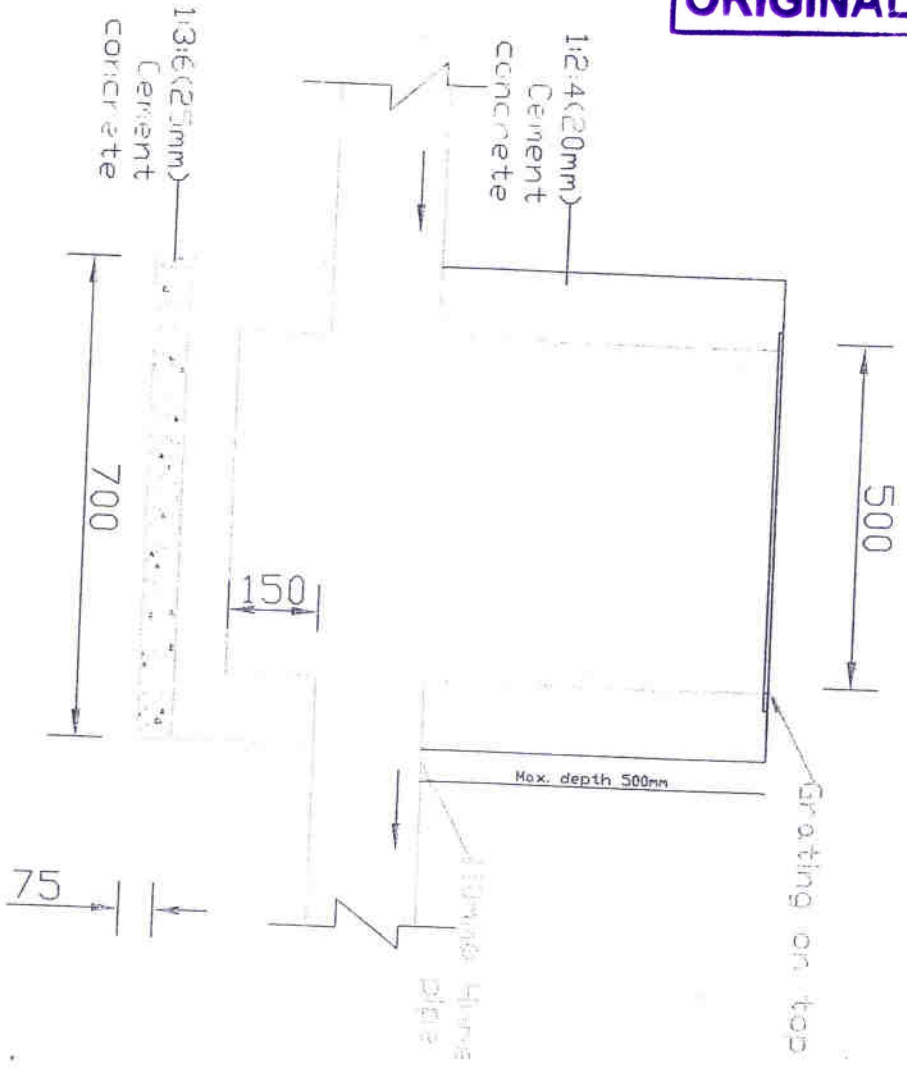
NOTE  
ALL DIMENSIONS ARE IN MILLIMETERS

**DRAWING TITLE : STORM WATER DRAIN 450 mm  
( Cover Slab)**

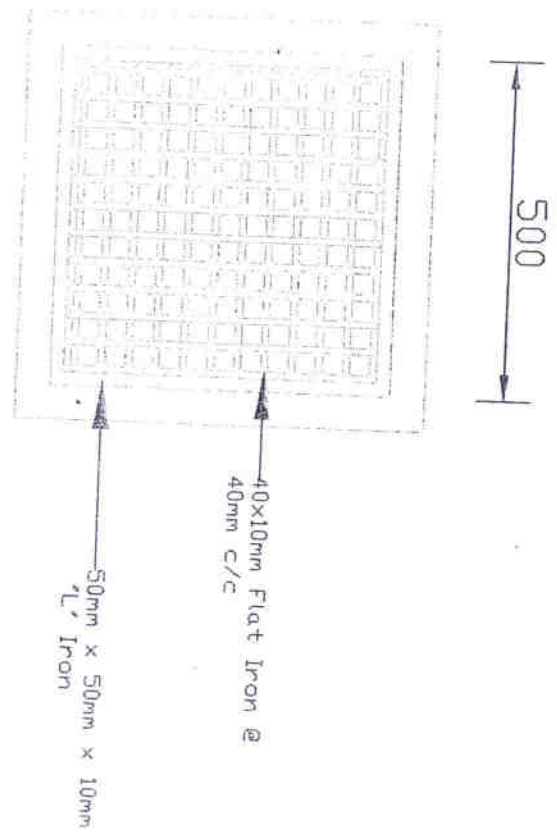
SCALE : 1 : 20

DRAWN BY	D.S.Vinodani
DESIGN BY	S.P.C.Illukhobara(Eng.Design)
CHECKED BY	N.D.Wijathilake(D.D.Eng. Design)
APPROVED BY	R.A.D.P.Ranavake(Director Drainage)
DATE	01/03/2021
DRAWING NO	ME/DR/WC/ST/10/2021/04

**ORIGINAL**



**SECTION OF GULLY**



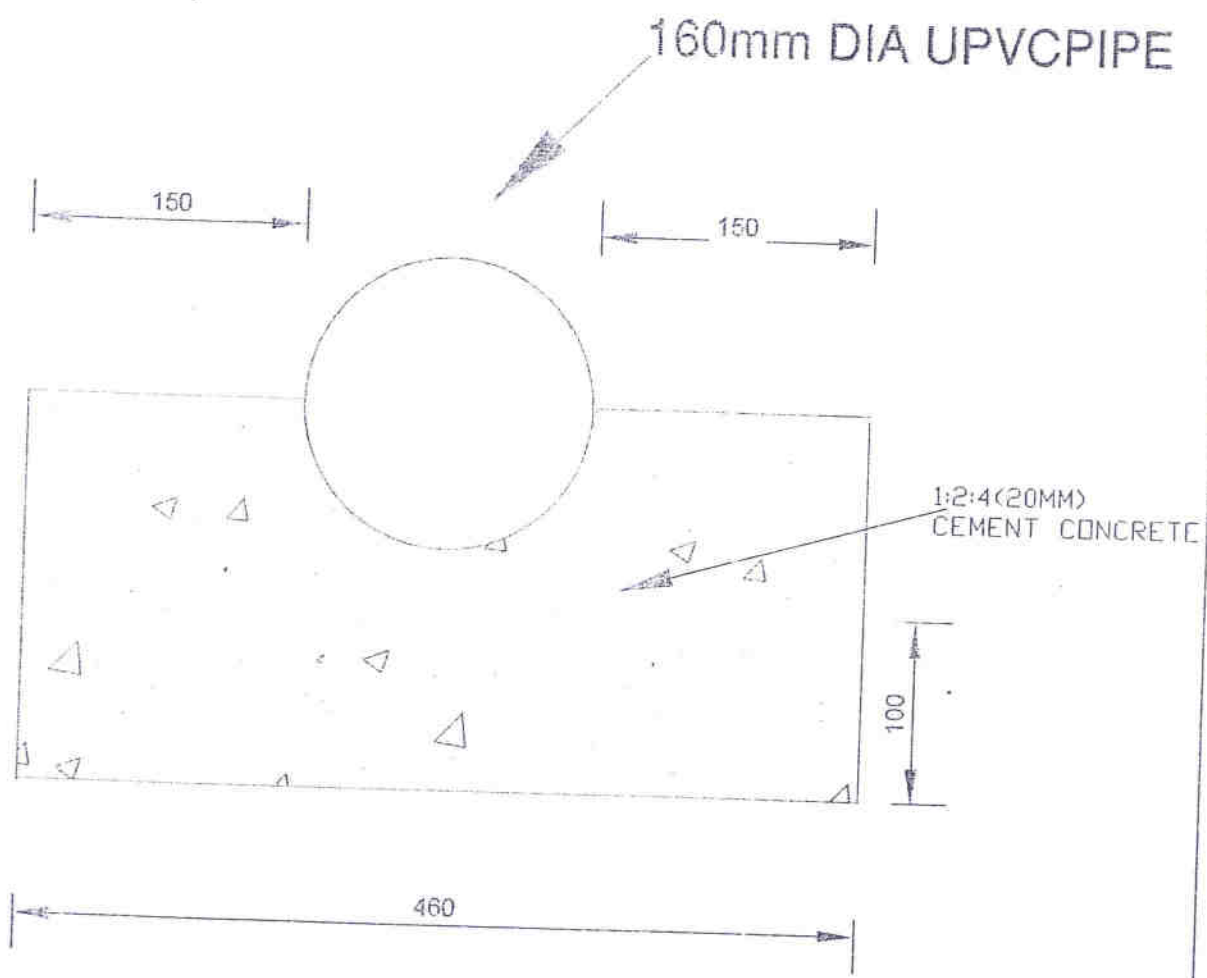
**PLAN**

**PROJECT :**  
 REPAIRING DRAIN SYSTEM OF MAIN  
 ROAD IN FRONT OF MADAMPITIYA  
 DISTRICT OFFICE, S.NO:233, MAHAVALIYA  
 ROAD, COIMBATORE-14.

**DRAWING TITLE :** (500mm X 500mm ) GULLY SECTION WITH STEEL GRATING ON TOP

ME/DR/WC/ST/10/2021/05

**ORIGINAL**



### BED AND HAUNCHING DETAIL

PROJECT : REPAIRING DRAIN SYSTEM OF MAIN ROAD AT MADAMPITIYA CEMETERY AT MAHAWATTA ROAD, COLOMBO-14.	DRAWING TITLE: BED AND HAUNCHING DETAIL	DRAWN BY	D.S.VINODANI (TO)
		CHECKED BY	S.P.C.ILIKUBURA (ENG DESIGN)
		APPROVED BY	N.D.WJETHILAKE (D.DIR.DESIGN)
		SCALE	1:20
		DATE	01.03.2021
		DRAWN NO	ME/DRWC/ST/10/2021/06



**ORIGINAL**

**SECTION 9**  
**STANDARD FORMS (BID)**

**Note:**

It is the responsibility of bidders to comply with all the requirements given in the bidding document. Failure to non compliance with any of the may be a reason for rejection of the bid.

**Notes on Standard Forms:**

- Bidders shall submit the completed form of bid security/Bid Securing Declaration as appropriate in compliance with the requirements of the bidding documents.
- Bidders should not complete the Form of Agreement at the time of preparation of bids.
- The successful bidder will be required to sign the Form of Agreement, after the award of contract.
- Any corrections or modifications to the accepted bid resulting from arithmetic corrections, acceptable deviations, or quantity variations in accordance with the requirements of the bidding documents should be incorporated into the Agreement.
- The Form of Performance security, Form of Advance Payment Security and Form of Retention Money Guarantee should not be completed by the bidders at the time of submission of bids.
- The successful bidder will be required to provide these securities in compliance with the requirements herein or as acceptable to the Employer.

**FORM OF BID SECURITY**

----- [ insert issuing agency's name, and address of issuing branch or office]

**Beneficiary :Municipal Commissioner, Colombo Municipal Council, Town Hall, Colombo 7**

**Date :----- [ insert (by issuing agency) date]**

**BID GUARANTEE No: ----- insert (by issuing agency number]**

We have been informed that ----- [insert (by issuing agency) name of the Bidder] (hereinafter called "the Bidder") has submitted to you its bid dated ----- ] insert (by issuing agency) date] (hereinafter called "the Bid") for improvements to ----- (insert name of contract)for Bids No. ----- (insert reference number of the bid).

Furthermore, we understand that, according to your conditions, Bids must be supported by a Bid Guarantee.

At the request of the Bidder, we ----- [insert name of issuing agency] hereby irrevocably undertake to pay you any sum or sums not exceeding in total an amount of ----- [insert amount in figures] ----- [ insert amount on words] upon receipt by us of your first demand in writing accompanied by a written statement stating that the Bidder is in breach of its obligation(s) under the bid conditions, because the Bidder:

- a) Has withdrawn its Bid during the period of bid validity specified; or
- b) Does not accept the correction of errors in accordance with the instructions to Bidders (hereinafter "the ITB"); or
- c) Having been notified of the acceptance of its Bid by the Employer during the period of bid validity, (i) fails or refuses to execute the contract Form, if required, or (ii) fails or refuses to furnish the Performance Security , in accordance with the ITB.

This Guarantee shall expire: (a) if the Bidder is the successful bidder, upon our receipt of copies of the Contract signed by the Bidder and of the Performance Security issued to you by the Bidder: or (b) if the Bidder is not the successful bidder, upon the earlier of the successful bidder furnishing the performance security, otherwise it will remain in force up to -----

Consequently, any demand for payment under this Guarantee must be received by us at the office on or before that date.

[ signature(s) and name(s) of authorized representative(s)]

**ORIGINAL**

**SECTION 10**  
**Other documents**