

101 9/4

DUPLICATE

Section -8

DRAWINGS

DUPLICATE

KETAWALAMULLA ROAD

EX.MH

Proposed MH
Vent shaft

UPVC
160mm
gravity
line

1000 type UPVC 110mm

133/3

133/5

Septic tank with pump

133/6

133/7

DRAWN BY	S. S. S. S. S.
CHECKED BY	S. S. S. S. S.
DESIGNED BY	S. S. S. S. S.
DATE	12/08/2017
DRAWING NO.	101_100_000_000_000_000_000

DRAWING TITLE: LAYOUT

Project : CONSTRUCTION OF NEW SEWER SYSTEM FORCE MAIN AT
KETAWALAMULLA ROAD, COLOMBO 10

DUPLICATE

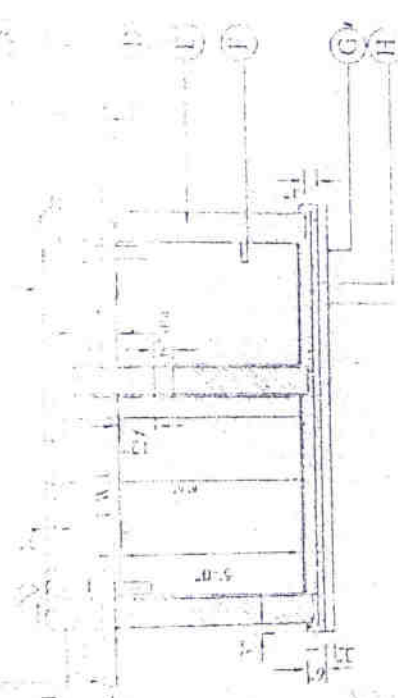


PLAN OF COVER

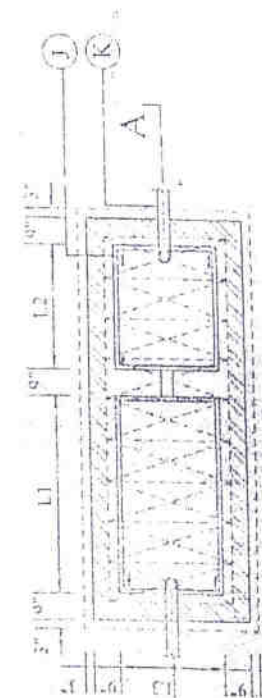


DETAIL AT X

SCALE - 1/8\"/>



SECTION A-A



PLAN

SCALE - 1/4\"/>

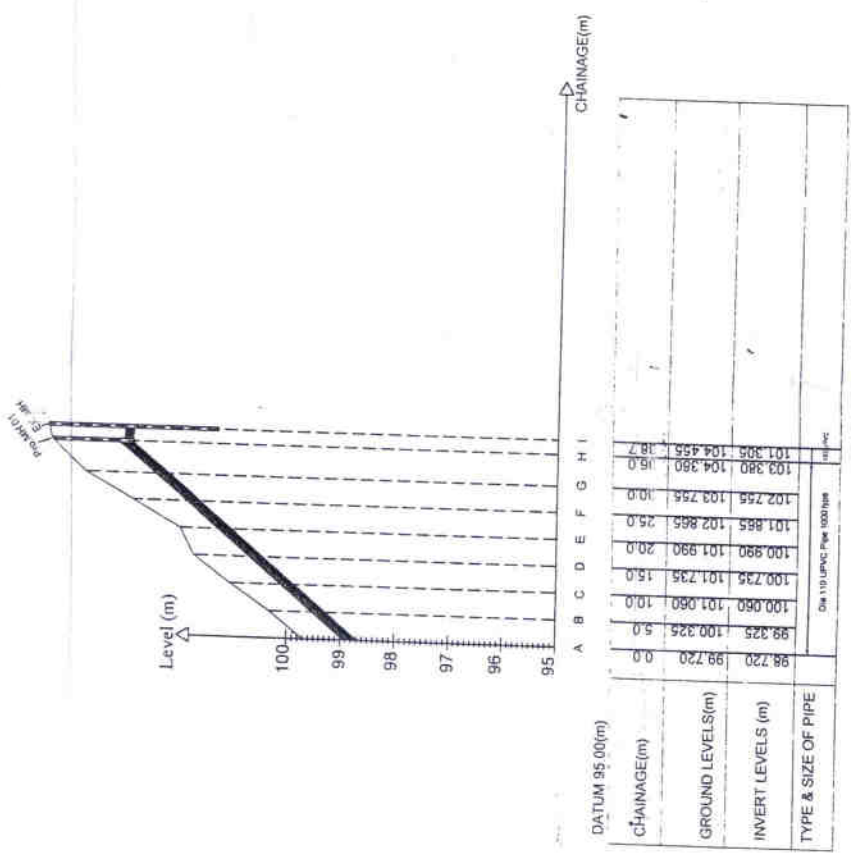
DIMENSIONS OF SEPTIC TANKS					
PERSONS	L1-L2	L1	L2	L3	
30	7'-0"	4'-6"	2'-6"	3'-0"	-DO-
40	8'-0"	5'-0"	3'-0"	3'-0"	-DO-
50	9'-0"	5'-6"	3'-6"	3'-6"	-DO-
60	10'-0"	6'-0"	4'-0"	4'-0"	-DO-
70	11'-0"	6'-6"	4'-6"	4'-6"	-DO-
80	12'-0"	7'-0"	5'-0"	5'-0"	-DO-
90	13'-0"	7'-6"	5'-6"	5'-6"	-DO-
100	14'-0"	8'-0"	6'-0"	6'-0"	-DO-

- (A) PVC INLET PIPE
- (B) 3" THICK (1" CONC. 12" DIA.) R. COURED PRECAST COVER SLABS WIDTH OF SLAB EQUALS TO 30" WIDE THAN 30"
- (C) 6" CONC. PAD (12" DIA.) AS PER DETAIL X
- (D) DIFFUSER
- (E) 2" DECK W/GR. INLET SCOURER
- (F) INTERNAL FACE OF SEPTIC TANK TO BE DESCRIBED IN FINEST SURFACE 2 IN TWO LAYERS 1/2" THICK EACH
- (G) WATER PROOFING AGENT (TRISOLAR OR SIMILAR) SHOULD BE APPLIED ON THE 100% LAYER OF PLASTERING
- (H) SECOND LAYER OF PLASTER SHOULD BE FINISHED SMOOTHLY
- (I) 6" THICK BASE SLAB (12" DIA.) 30" WIDE TO BE PROVIDED
- (J) 10mm OR 12mm STEEL BARS AT 9" C/S BOTHWAYS
- (K) 2 NO. SLABS ABOVE INLET AND OUTLET TO BE WITH 2 NO. 10mm OR 12mm STEEL BARS AS PER DETAIL SECTION C-C
- (L) ALL OTHERS WITHOUT LISTING HOOKS
- (M) PVC OUTLET PIPE
- (N) 6mm OR 8mm BARS AT 12" C/S
- (O) 10mm OR 12mm STEEL BARS 3" C/S
- (P) 3" THICK LEAN CONCRETE (1:2:4)

* SEPTIC TANK TO BE FILLED WITH WATER UP TO 75% BEFORE BEING PUT INTO USE

99

DUPLICATE

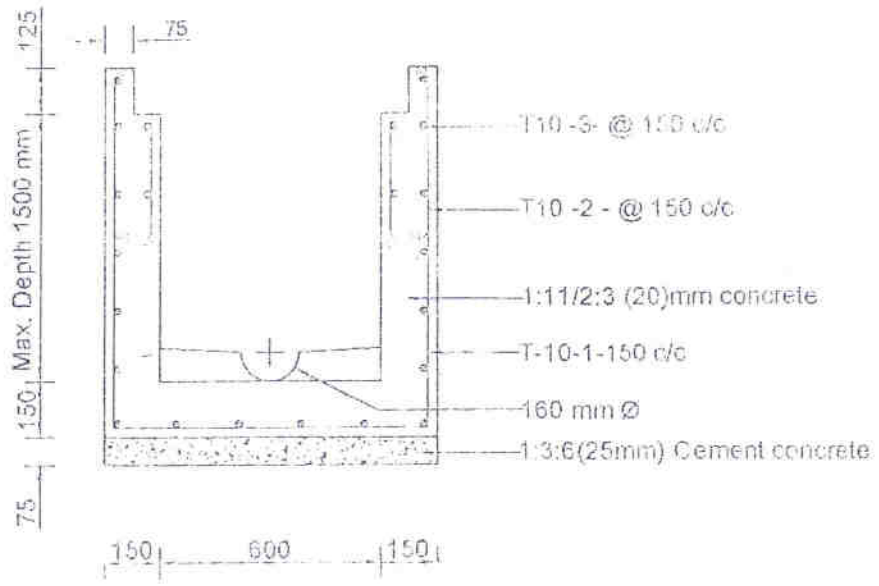


DRAWN BY: K.K.N.Mohana
 CHECKED BY: Eng. R. Sumanan
 APPROVED BY: Eng. (Mrs.) M.D. Wijethilaka
 SCALE: HORIZONTAL 1 : 1000, VERTICAL 1 : 100
 DATE: 20.10.2021
 DRAWING NO: MECOR/MA5W/181/2021/1/5

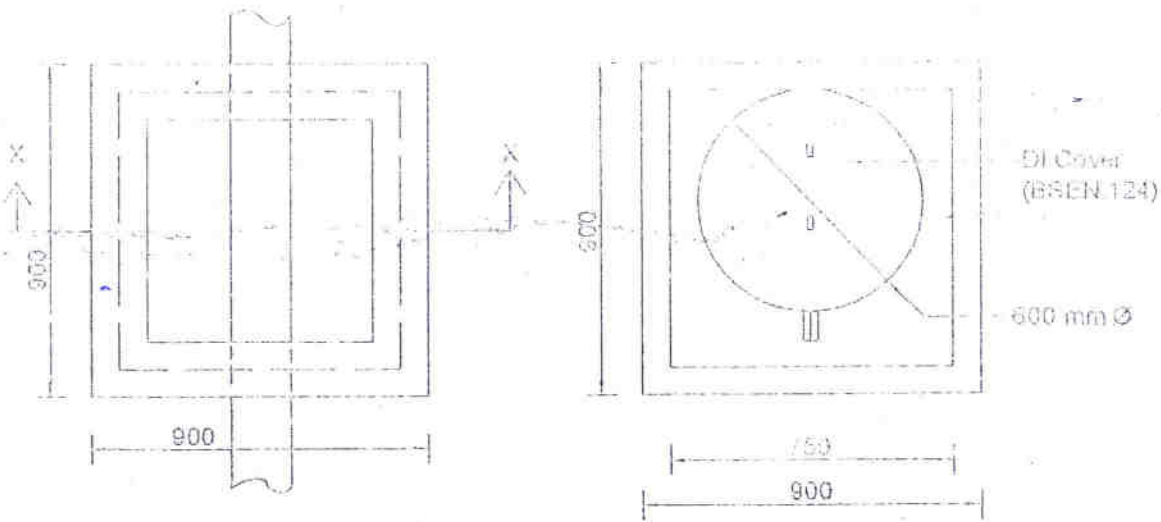
DRAWING TITLE: LONGITUDINAL SECTION

Construction of Sewer System Force Main at Ketawalamulla Road, Colombo 10

DUPLICATE



SECTION X-X



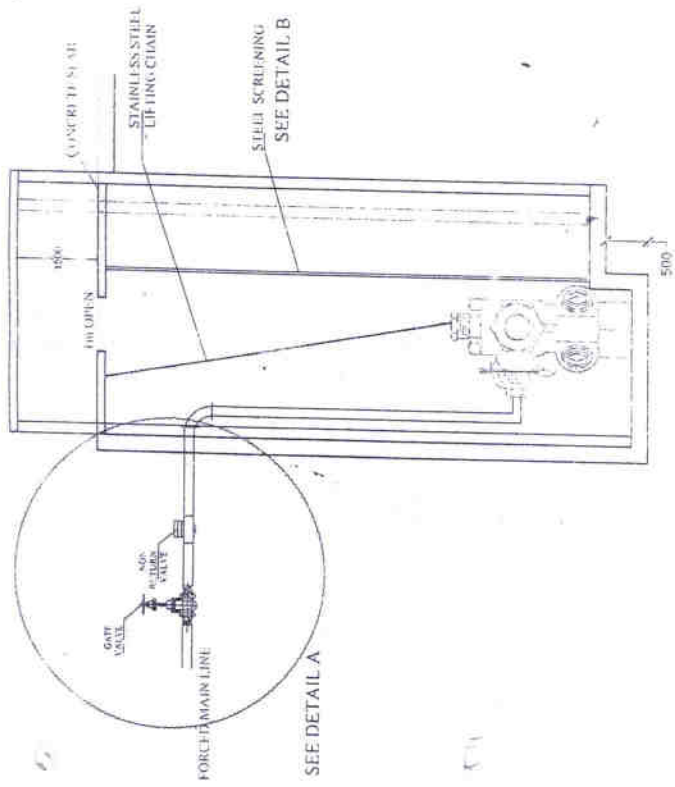
PLAN VIEW
(Bottom)

COVER SLAB
(With DI Cover)

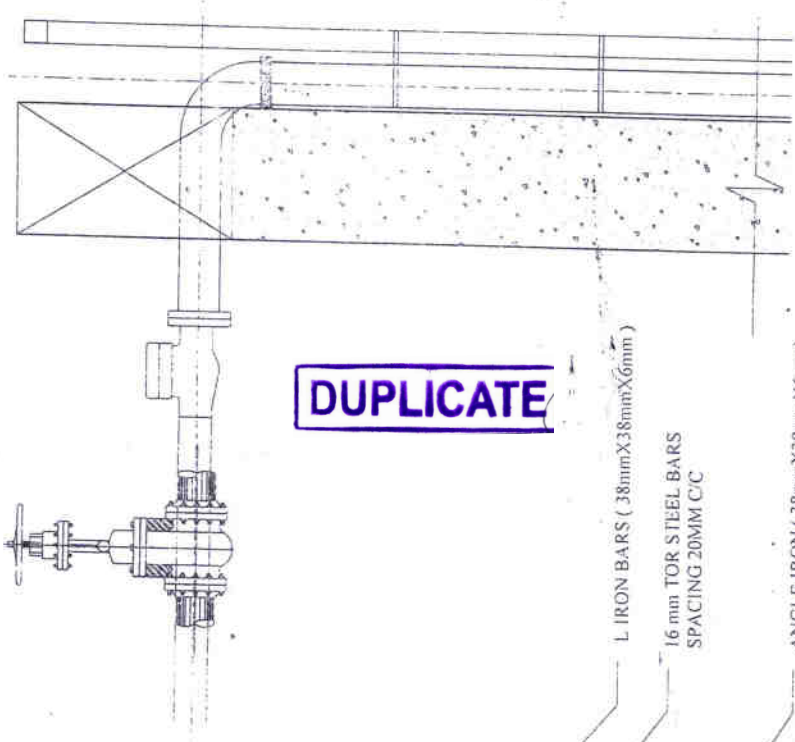
NOTE: ALL DIMENSIONS ARE IN mm

DRAWING TITLE : SEWER MANHOLE 600 mm X 600 mm
(DI Cover Slab)

SCALE : 1 : 20

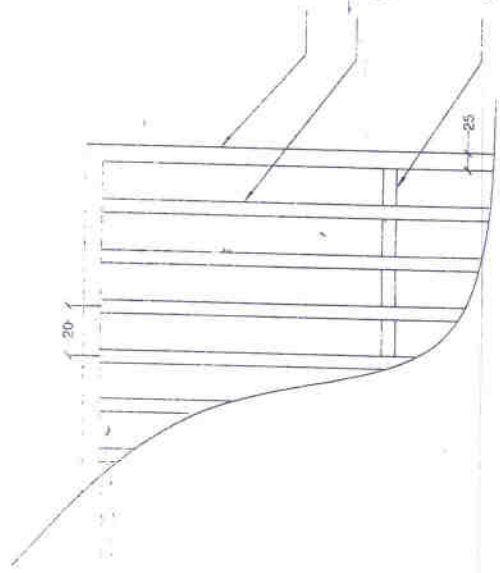
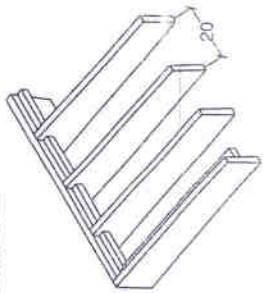


DETAIL A



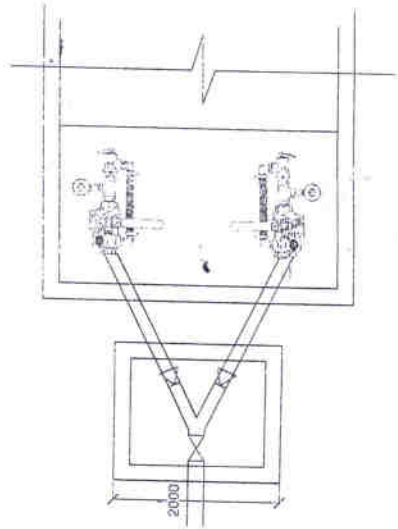
DUPLICATE

DETAIL B



STEEL SCREENING DETAIL

SECTION



PLAN

PROJECT : CONSTRUCTION OF NEW WATER MAIN LINE G NO 133, RITAWA AVIYA ROAD, COLOMBO 10	COLOMBO MUNICIPAL COUNCIL WATER SUPPLY AND DRAINAGE DIVISION MADIGAMUDA, COLOMBO 10.	DRAWING TITLE : DETAILS DRAWING NO. : UP 04-1/15/0112/009	DRAWN BY : S.HULALDIYA CHECKED BY : D.D.Eng (Mrs.) N.D.Wijebhiska APPROVED BY : Director Eng. R.A.T.P. Pitipawala	K.K.NARAYANA Eng. R.GANESAN D.D.Eng (Mrs.) N.D.Wijebhiska Director Eng. R.A.T.P. Pitipawala
--	---	---	--	--

DUPLICATE

SECTION 9
STANDARD FORMS (BID)

Note:

It is the responsibility of bidders to comply with all the requirements given in the bidding document. Failure to non compliance with any of the may be a reason for rejection of the bid.

Notes on Standard Forms:

- Bidders shall submit the completed form of bid security/Bid Securing Declaration as appropriate in compliance with the requirements of the bidding documents.
- Bidders should not complete the Form of Agreement at the time of preparation of bids.
- The successful bidder will be required to sign the Form of Agreement, after the award of contract.
- Any corrections or modifications to the accepted bid resulting from arithmetic corrections, acceptable deviations, or quantity variations in accordance with the requirements of the bidding documents should be incorporated into the Agreement.
- The Form of Performance security, Form of Advance Payment Security and Form of Retention Money Guarantee should not be completed by the bidders at the time of submission of bids.
- The successful bidder will be required to provide these securities in compliance with the requirements herein or as acceptable to the Employer.

FORM OF BID SECURITY

----- [insert issuing agency's name, and address of issuing branch or office]

Beneficiary :Municipal Commissioner, Colombo Municipal Council, Town Hall, Colombo 7

Date :----- [insert (by issuing agency) date]

BID GUARANTEE No: ----- insert (by issuing agency) number]

We have been informed that ----- [insert (by issuing agency) name of the Bidder] (hereinafter called "the Bidder") has submitted to you its bid dated -----] insert (by issuing agency) date] (hereinafter called "the Bid") for improvements to ----- (insert name of contract)for Bids No. ----- (insert reference number of the bid).

Furthermore, we understand that, according to your conditions, Bids must be supported by a Bid Guarantee.

At the request of the Bidder, we ----- [insert name of issuing agency] hereby irrevocably undertake to pay you any sum or sums not exceeding in total an amount of ----- [insert amount in figures] ----- [insert amount on words] upon receipt by us of your first demand in writing accompanied by a written statement stating that the Bidder is in breach of its obligation(s) under the bid conditions, because the Bidder:

- a) Has withdrawn its Bid during the period of bid validity specified; or
- b) Does not accept the correction of errors in accordance with the instructions to Bidders (hereinafter "the ITB"); or
- c) Having been notified of the acceptance of its Bid by the Employer during the period of bid validity, (i) fails or refuses to execute the contract Form, if required, or (ii) fails or refuses to furnish the Performance Security , in accordance with the ITB.

This Guarantee shall expire: (a) if the Bidder is the successful bidder, upon our receipt of copies of the Contract signed by the Bidder and of the Performance Security issued to you by the Bidder: or (b) if the Bidder is not the successful bidder, upon the earlier of the successful bidder furnishing the performance security, otherwise it will remain in force up to -----

Consequently, any demand for payment under this Guarantee must be received by us at the office on or before that date.

[signature(s) and name(s) of authorized representative(s)]

93 2

DUPLICATE

SECTION 10
Other documents