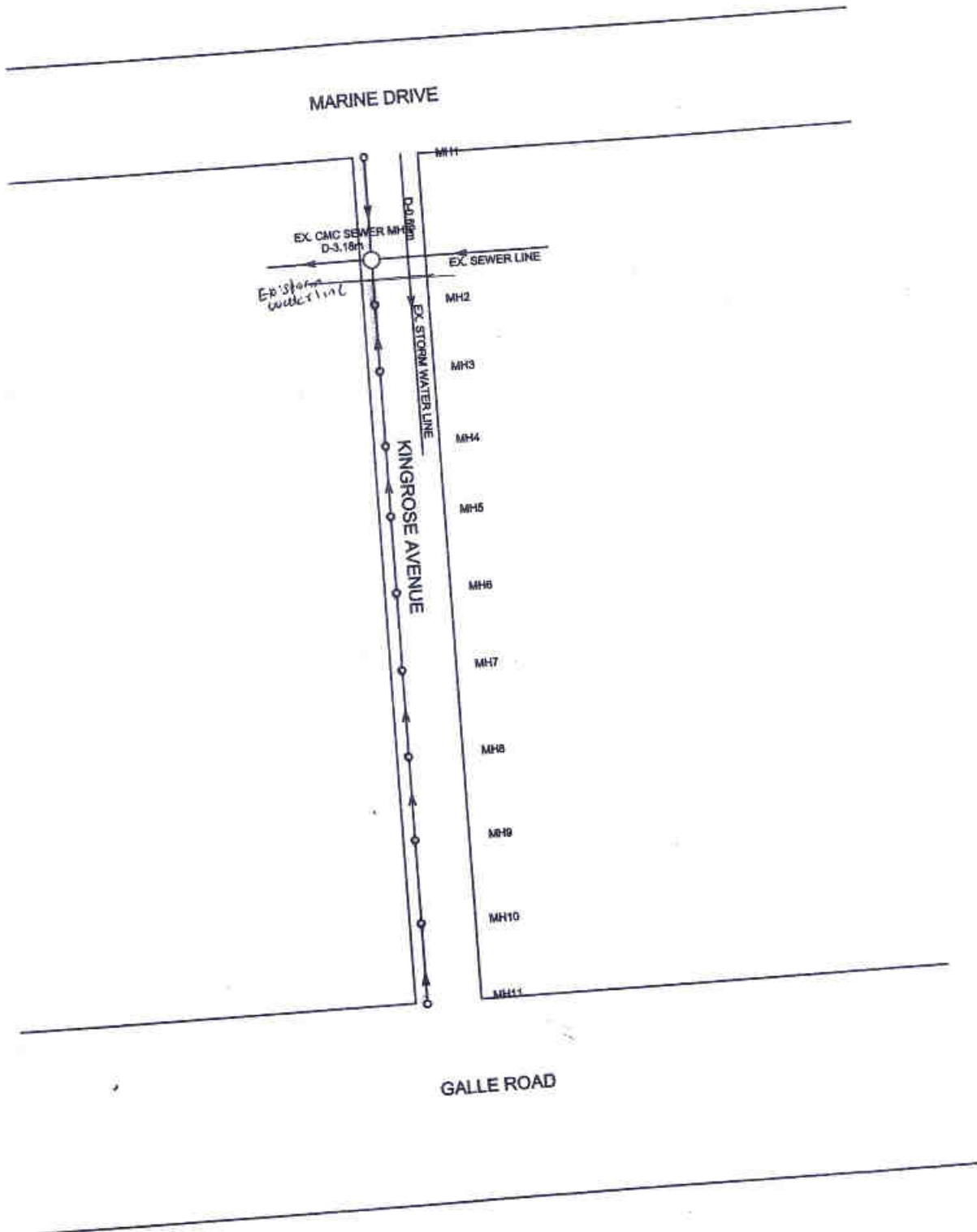


SA  
111

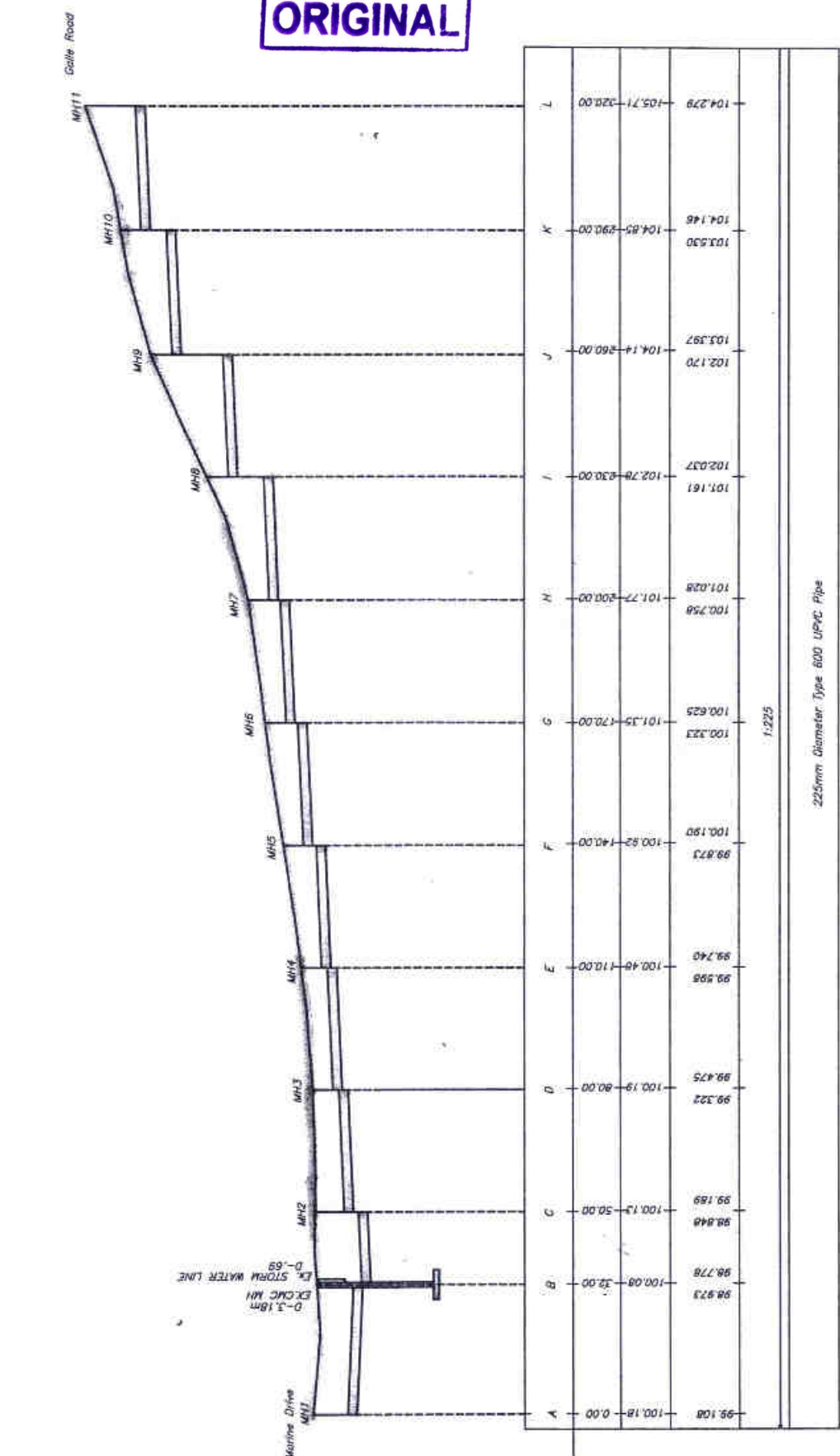
**ORIGINAL**



**PROJECT : CONSTRUCTION OF NEW SEWER LINE  
ALONG KINGROSE AVENUE 04**

DRAWN BY	N.S.N.Dissanayake
DESIGN BY	R.Sanjeevan (Eng.Design)
CHECKED BY	N.D.Wijethilaka (D.D.Eng. Design)
APPROVED BY	R.A.T.P.Ranawaka (Director Drainage)
DATE	05/ 07/ 2021
DRAWING NO.	ME/DR/AB/SW/11/2021/DR-01

**ORIGINAL**



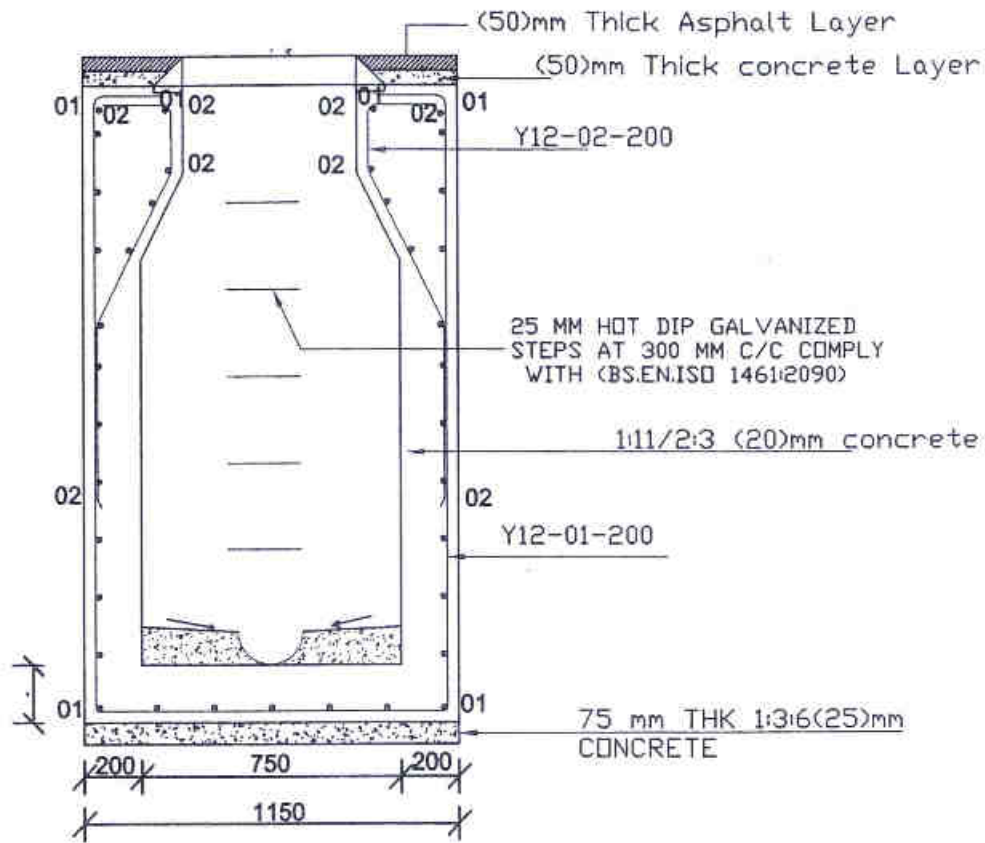
DATUM +95.00
107.00
106.00
105.00
104.00
103.00
102.00
101.00
100.00
99.00
98.00
97.00
96.00

Scale  
1:100  
1:1000

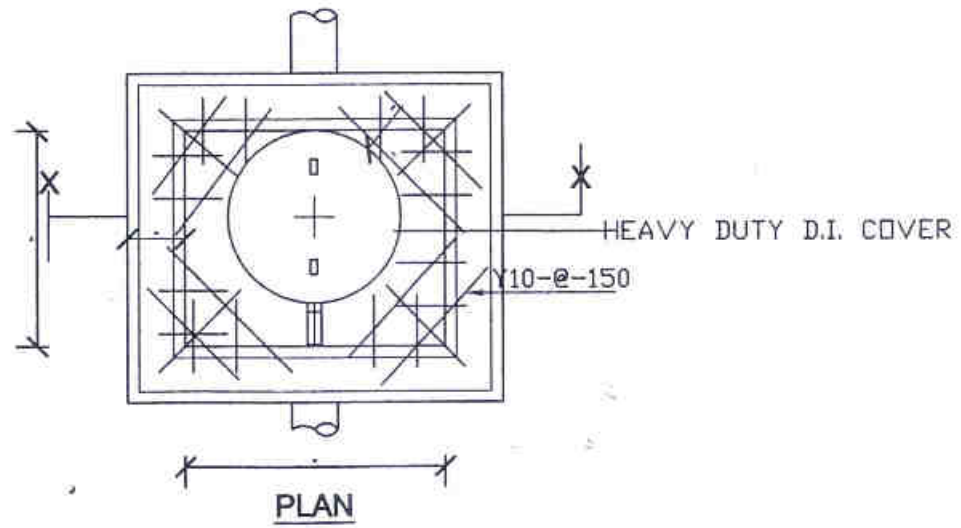
<b>Legend</b>	Existing CMC Manhole Existing Ground Level Pipe Invert Level Proposed Manholes	<b>DRAWING TITLE : LS /01- Path (A-L)</b>
DRAWN BY DESIGNED BY CHECKED BY APPROVED BY DATE DRAWING No	N.S.N. Dasanayake R. Sureshan (Eng. Design) N.D. Wimalatille (D.D. Eng. Design) R.A.T.P. Ranawaka (Checker/ Draughtsman) 09/07/2021 MEC/RA/BS/W/1/0021/01R-02	<b>PROJECT : CONSTRUCTION OF NEW SEWER LINE ALONE KINGROSE AVENUE 04</b>

**ORIGINAL**

DEPTH VARIES ACCORDING TO SITE CONDITION  
(MAXIMUM DEPTH - 2.0 m)



**SECTION X-X**



**PLAN**

1. ALL DIMENSION ARE IN MILLIMETERS.
2. DISTRIBUTION STEEL AT T10 @ 200 mm c/c

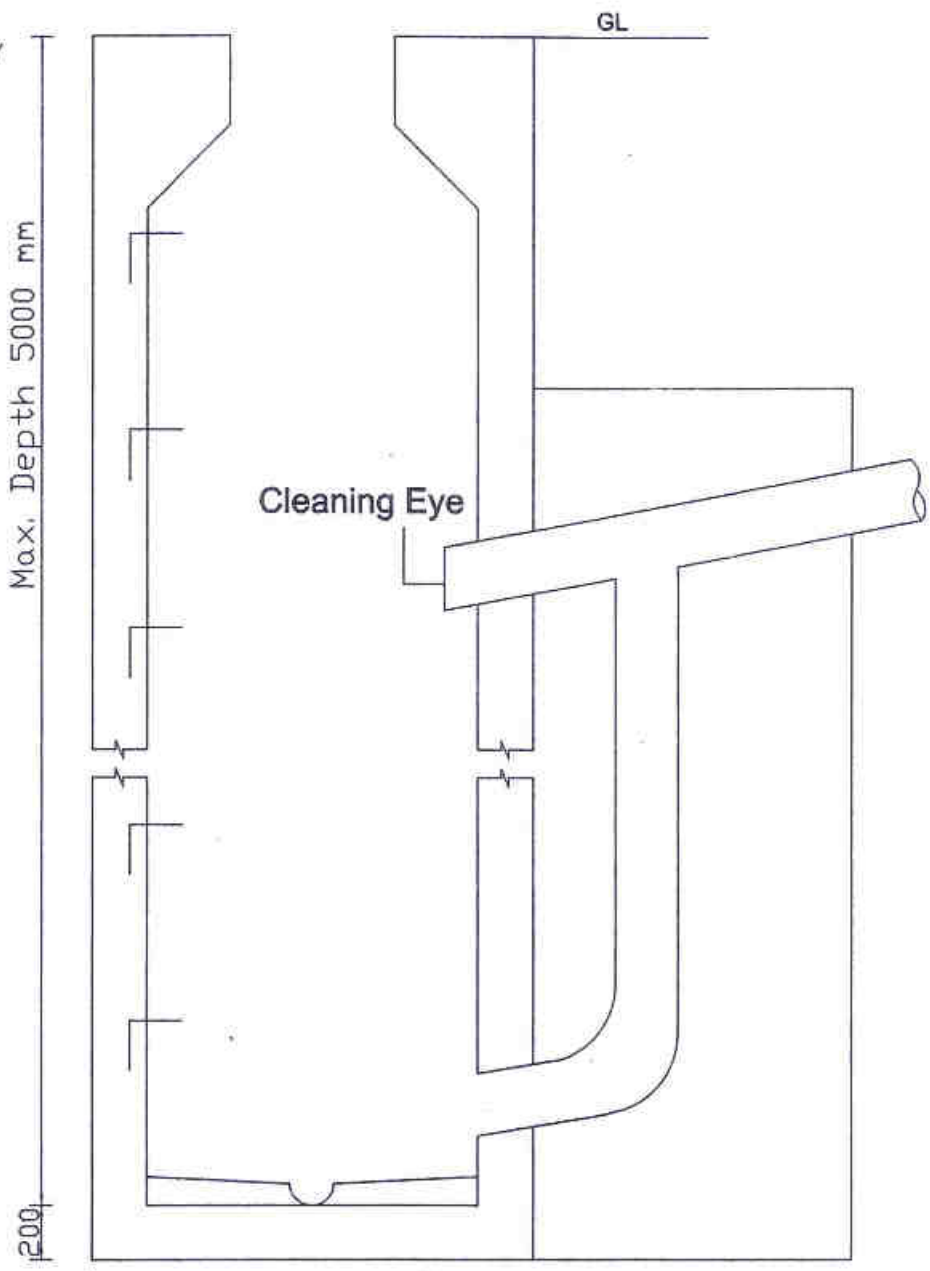
DRAWING TITLE : SEWER MANHOLE 750MM X 750MM (SINGLE REINFORCED)

DRAWN BY	N.S.N Dissanayake (Technical Officer)
DESIGN BY	R. Sanjewan(Eng. Deslgn)
CHECKED BY	N.D Wijethilaka (D.D.Eng. Deslgn)
APPROVED BY	R.A.D.P.Ranevaka(Director Drainage)
DATE	12/07/2021
DRAWING NO	ME/DR/AB/9W/011/2021/DR-03

108

**ORIGINAL**

25 MM HOT DIP GALVANIZED  
STEPS AT 300 MM C/C COMPLY  
WITH (BS.EN.ISD 1461:2090)



SECTION X-X

**NOTE:** ALL DIMENSIONS ARE IN mm

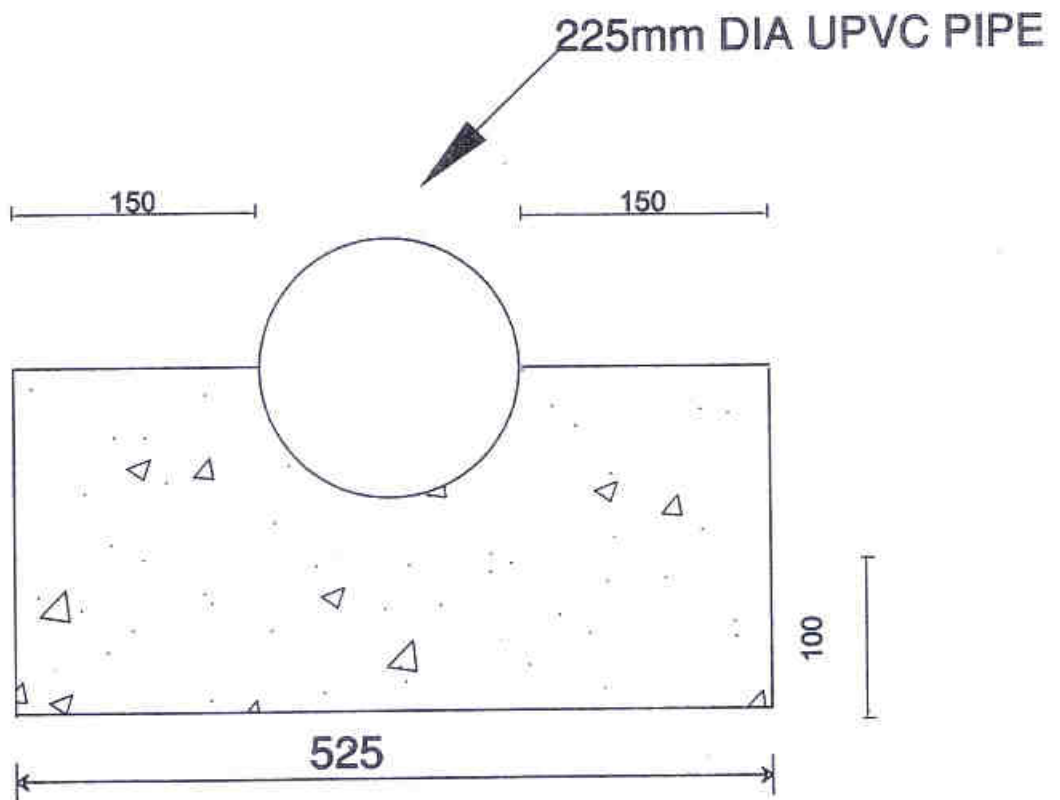
**DRAWING TITLE : SEWER MANHOLE CONECTION**

ME/DR/AB/SW/11/2021/DR-04

014

107

**ORIGINAL**



**NOTE**  
ALL DIMENSIONS ARE IN MILLIMETERS

**DRAWING TITLE : 315mm PVC PIPE BED AND HUNCHING**

DRAWN BY	N.S.N Dissanayake (Technical Officer)
DESIGN BY	R. Sanjewan(Eng.Design)
CHECKED BY	N.D Wijethilaka (D.D.Eng. Design)
APPROVED BY	R.A.D.P.Ranavake(Director Drainage)
DATE	12/ 07/ 2021
DRAWING NO	ME/DR/AB/SW/011/2021/DR-05

**ORIGINAL**

**SECTION 9**  
**STANDARD FORMS (BID)**

**Note:**

It is the responsibility of bidders to comply with all the requirements given in the bidding document. Failure to non compliance with any of the may be a reason for rejection of the bid.

**Notes on Standard Forms:**

- Bidders shall submit the completed form of bid security/Bid Securing Declaration as appropriate in compliance with the requirements of the bidding documents.
- Bidders should not complete the Form of Agreement at the time of preparation of bids.
- The successful bidder will be required to sign the Form of Agreement, after the award of contract.
- Any corrections or modifications to the accepted bid resulting from arithmetic corrections, acceptable deviations, or quantity variations in accordance with the requirements of the bidding documents should be incorporated into the Agreement.
- The Form of Performance security, Form of Advance Payment Security and Form of Retention Money Guarantee should not be completed by the bidders at the time of submission of bids.
- The successful bidder will be required to provide these securities in compliance with the requirements herein or as acceptable to the Employer.

**FORM OF BID SECURITY**

----- [ insert issuing agency's name, and address of issuing branch or office]

**Beneficiary :Municipal Commissioner, Colombo Municipal Council, Town Hall, Colombo 7**

**Date :----- [ insert (by issuing agency) date]**

**BID GUARANTEE No: ----- insert (by issuing agency number]**

We have been informed that ----- [insert (by issuing agency) name of the Bidder] (hereinafter called "the Bidder") has submitted to you its bid dated ----- ] insert (by issuing agency) date] (hereinafter called "the Bid") for improvements to ----- (insert name of contract)for Bids No. ----- (insert reference number of the bid).

Furthermore, we understand that, according to your conditions, Bids must be supported by a Bid Guarantee.

At the request of the Bidder, we ----- [insert name of issuing agency] hereby irrevocably undertake to pay you any sum or sums not exceeding in total an amount of ----- [insert amount in figures] ----- [ insert amount on words] upon receipt by us of your first demand in writing accompanied by a written statement stating that the Bidder is in breach of its obligation(s) under the bid conditions, because the Bidder:

- a) Has withdrawn its Bid during the period of bid validity specified; or
- b) Does not accept the correction of errors in accordance with the instructions to Bidders ~~(hereinafter "the ITB"); or~~
- c) Having been notified of the acceptance of its Bid by the Employer during the period of bid validity, (i) fails or refuses to execute the contract Form, if required, or (ii) fails or refuses to furnish the Performance Security, in accordance with the ITB.

This Guarantee shall expire: (a) if the Bidder is the successful bidder, upon our receipt of copies of the Contract signed by the Bidder and of the Performance Security issued to you by the Bidder; or (b) if the Bidder is not the successful bidder, upon the earlier of the successful bidder furnishing the performance security, otherwise it will remain in force up to -----

Consequently, any demand for payment under this Guarantee must be received by us at the office on or before that date.

[ signature(s) and name(s) of authorized representative(s)]



**ORIGINAL**

163

2

**SECTION 10**

**Other documents**

602