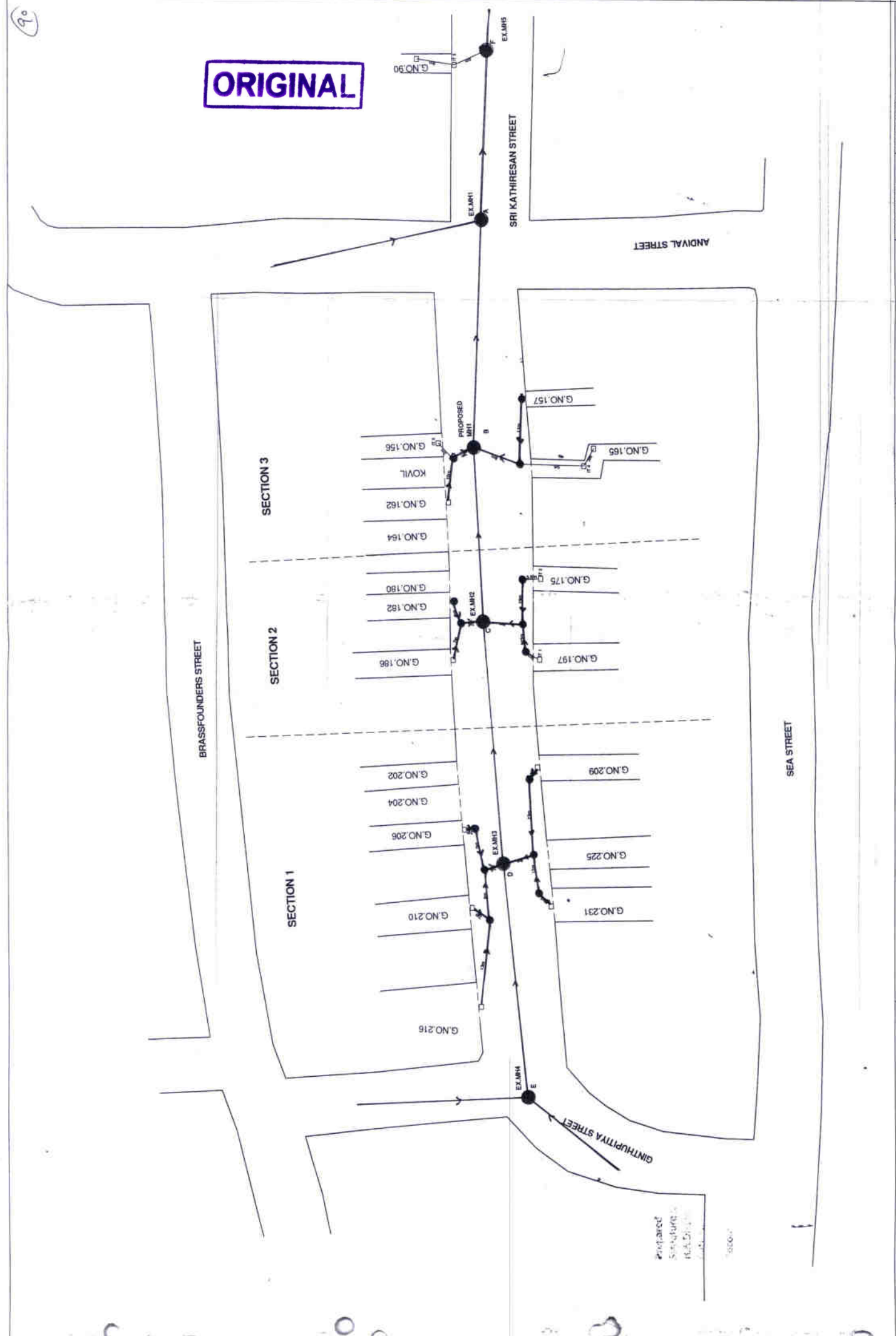


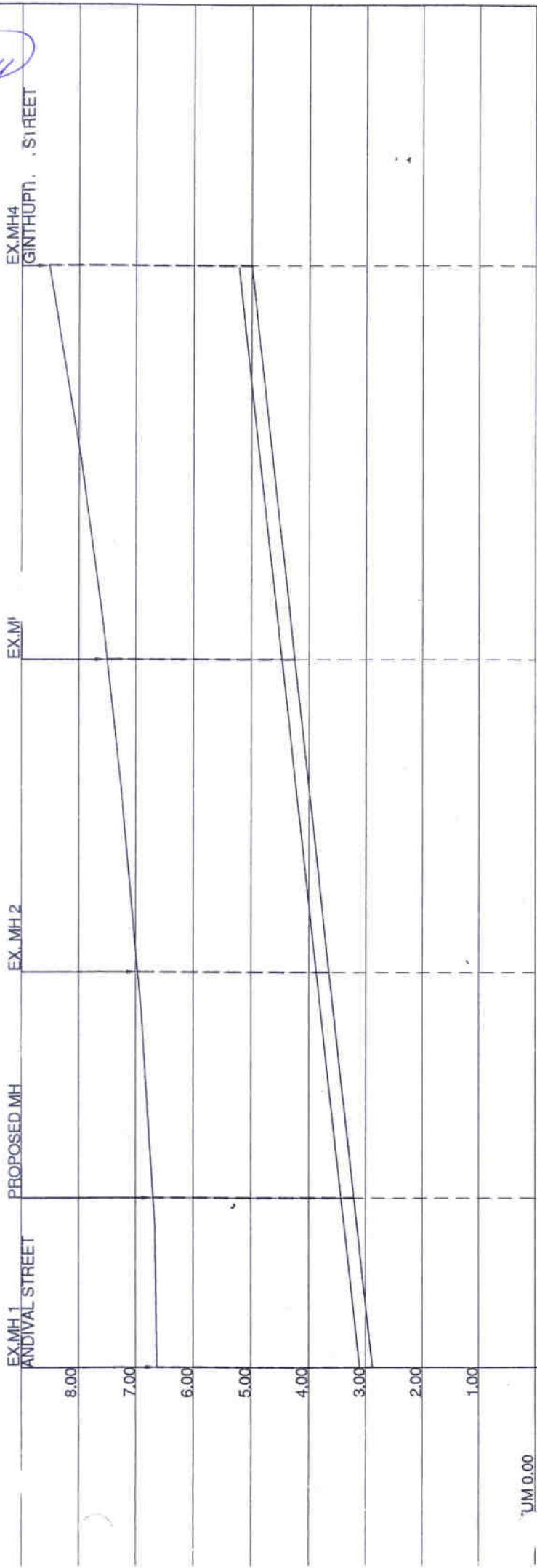
90

ORIGINAL



DRAWING TITLE: LAYOUT		DRAWING NO.	
CONNECTION OF LATERAL SEWER LINES AT SRI KATHIRESAN STREET, COLOMBO 13.		MED/PA/89/13292 LAYOUT	
LEGEND		DRAWN BY	
□	EXISTING IT MH	H.A. DOSANAYAKE	
○	PROPOSED MH	DESIGNED BY	
—	EXISTING SEWER LINE	D.S. SURESHAN (EMO DESIGN)	
—	PROPOSED SEWER LINE	CHECKED BY	
—	PROPOSED IT MH	N.D. WIETRIKANE (D.D. ENG. DESIGN)	
—	EXISTING LHM	APPROVED BY	
—	PROPOSED LHM	H.A.T.P. RANAWAN (DIRECTOR DRAINAGE)	
		DATE	
		16.07.2021	

2/11



	A	B	C	D	E
DISTANCE(m)	0	30	70	125	194
EXISTING LEVEL(m)	3.33	6.70	6.97	7.51	8.52
PROPOSED IL (m)	3.33	3.21	3.65	4.25	4.99

225MM DIA. UPVC LINE

TYPE & SIZE OF PIPE

GRADIENT

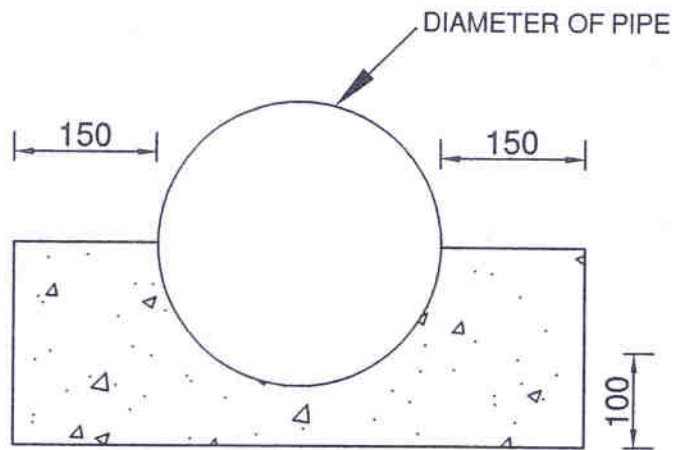
V- 1:100 , H- 1:200

Legend	
---	PROPOSED MANHOLE
---	EXISTING SEWER LINE
---	EXISTING MANHOLE

DRAWN BY	M.A. DEBASANAYAKE
DESIGNED BY	R. SAKULDEVAN (ENCL. DESIGN)
CHECKED BY	N.D. WERTHEKALE (C.D. ENCL. DESIGN)
APPROVED BY	M.A. P. MANAWANGUNDIRAJON (MANAGER)
DATE	16/07/2021
DRAWN IN	MED/08/01/01/2021/13

SECTION OF LATERAL SEWER LINES AT SRI KATHIRESON STREET , COLOMBO 13.

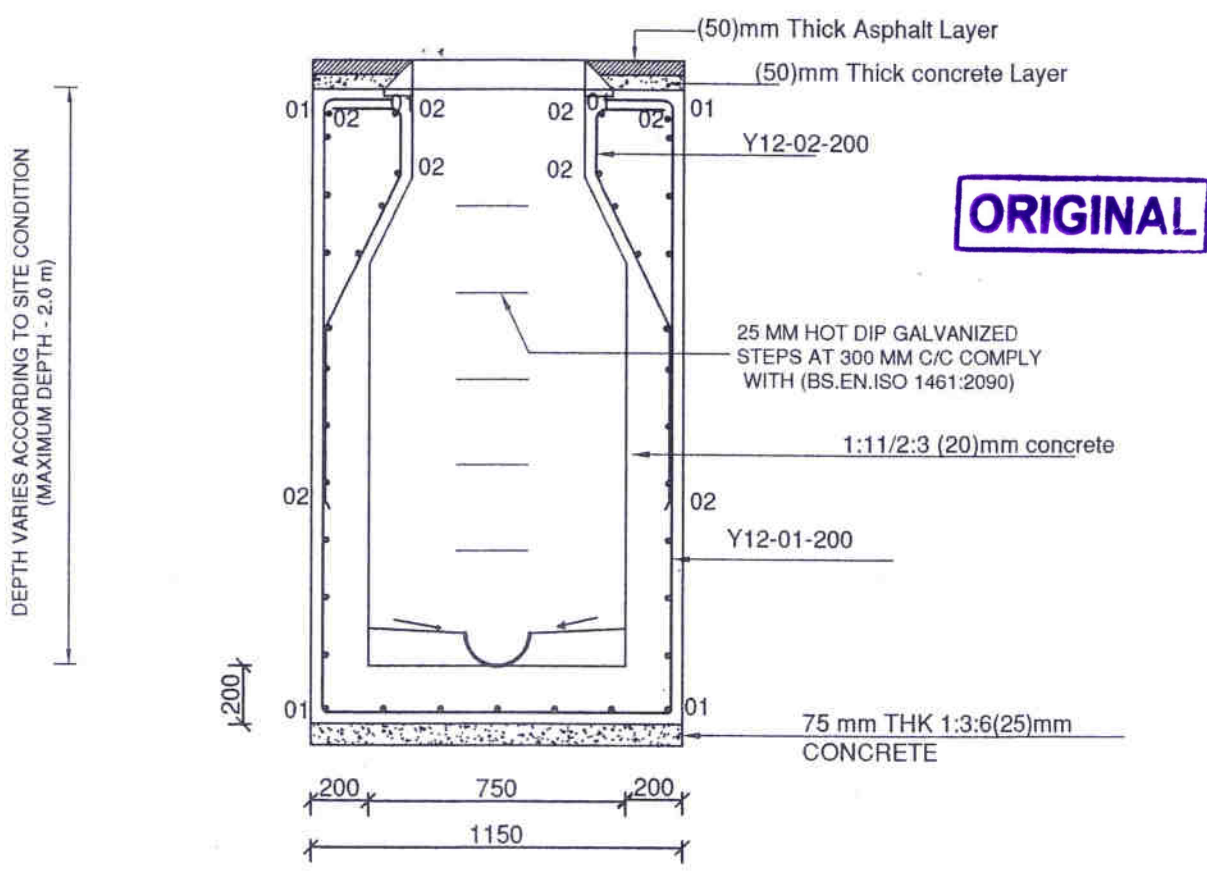
ORIGINAL



BED AND HAUNCHING DETAIL

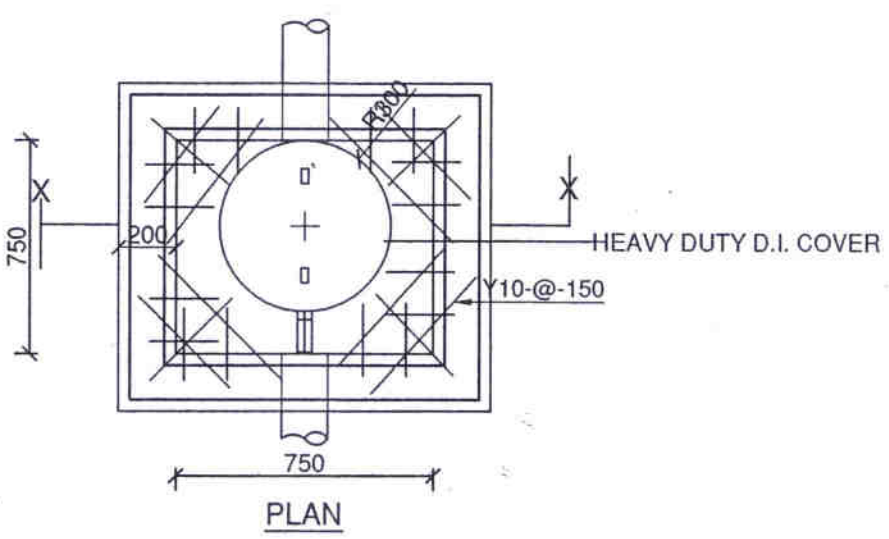
CONSTRUCTION OF LATERAL SEWER LINES AT SRI KATHIRESHAN STREET	DRAWING TITLE: BED & HUNCHING	DRAWN BY	H.A.DISSANAYAKE
		CHECKED BY	R.SANJEEVAN.(ENG DESIGN)
		APPROVED BY	N.D.WIJETHILAKE(D.DIRL.DESIGN)
		SCALE	1:25
		DATE	16.07.2021
		DRAWN NO	ME/DR/AB/SW/13/2021/DR-01

112



ORIGINAL

SECTION X-X

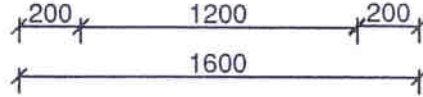
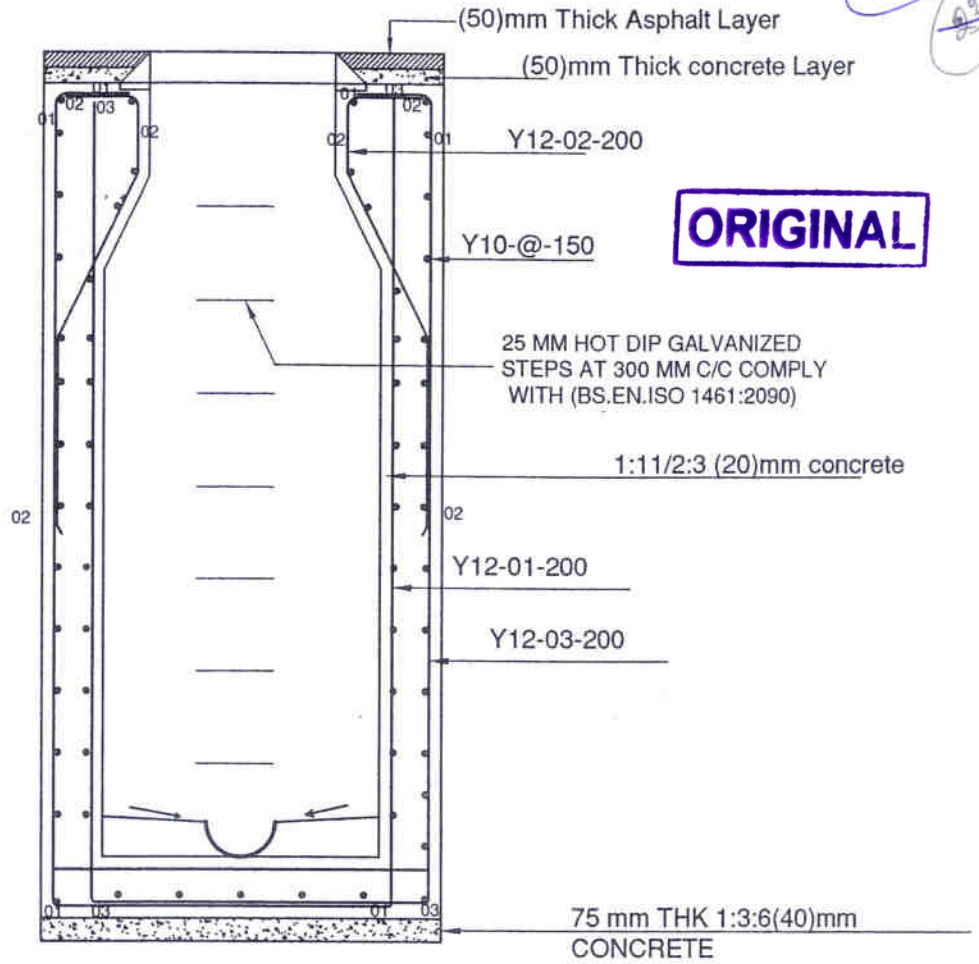


PLAN

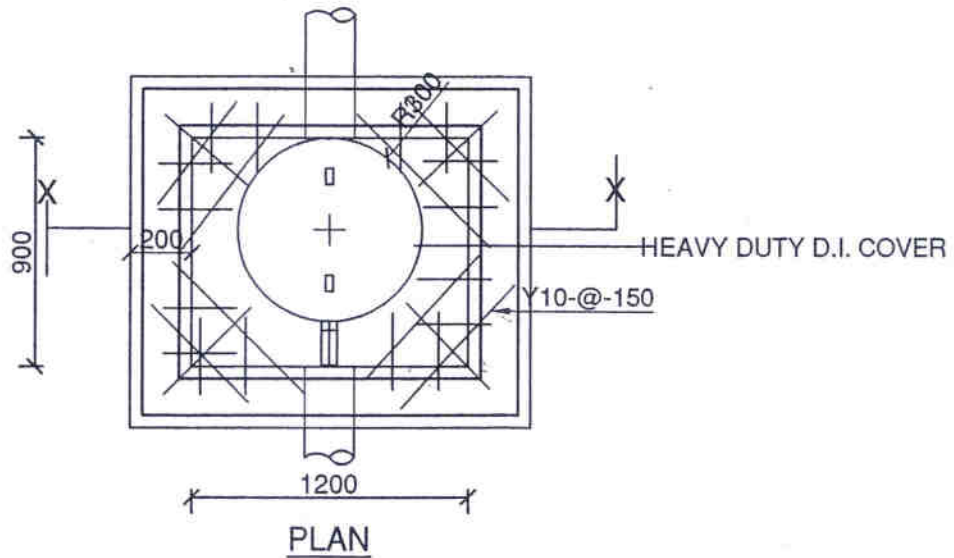
1. ALL DIMENSION ARE IN MILLIMETERS.
2. DISTRIBUTION STEEL AT T10 @ 200 mm c/c

CON JUNCTION OF SEWER LINES AT SRI KATHIRESHAN STREET	DRAWING TITLE: MANHOLE DETAIL	DRAWN BY	H.A.DISSANAYAKE
		CHECKED BY	R.SANJEEVAN.(ENG DESIGN)
		APPROVED BY	N.D.WIJETHILAKE(D.DIR.DESIGN)
		SCALE	1:25
		DATE	16.07.2021
		DRAWN NO	ME/DR/AB/SW/13/2021/DR-02

DEPTH VARIES ACCORDING TO SITE CONDITION
(MAXIMUM DEPTH - 5.0 m)



SECTION X-X



PLAN

1. ALL DIMENSION ARE IN MILLIMETERS.
2. DISTRIBUTION STEEL AT T10 @ 200 mm c/c

ORIGINAL

SECTION 9
STANDARD FORMS (BID)

Note:

It is the responsibility of bidders to comply with all the requirements given in the bidding document. Failure to non compliance with any of the may be a reason for rejection of the bid.

Notes on Standard Forms:

- Bidders shall submit the completed form of bid security/Bid Securing Declaration as appropriate in compliance with the requirements of the bidding documents.
- Bidders should not complete the Form of Agreement at the time of preparation of bids.
- The successful bidder will be required to sign the Form of Agreement, after the award of contract.
- Any corrections or modifications to the accepted bid resulting from arithmetic corrections, acceptable deviations, or quantity variations in accordance with the requirements of the bidding documents should be incorporated into the Agreement.
- The Form of Performance security, Form of Advance Payment Security and Form of Retention Money Guarantee should not be completed by the bidders at the time of submission of bids.
- The successful bidder will be required to provide these securities in compliance with the requirements herein or as acceptable to the Employer.

ORIGINAL

1083

FORM OF BID SECURITY

----- [insert issuing agency's name, and address of issuing branch or office]

Beneficiary :Municipal Commissioner, Colombo Municipal Council, Town Hall, Colombo 7

Date :----- [insert (by issuing agency) date]

BID GUARANTEE No: ----- insert (by issuing agency number]

We have been informed that ----- [insert (by issuing agency) name of the Bidder] (hereinafter called "the Bidder") has submitted to you its bid dated -----] insert (by issuing agency) date] (hereinafter called "the Bid") for improvements to ----- (insert name of contract)for Bids No. ----- (insert reference number of the bid).

Furthermore, we understand that, according to your conditions, Bids must be supported by a Bid Guarantee.

At the request of the Bidder, we ----- [insert name of issuing agency] hereby irrevocably undertake to pay you any sum or sums not exceeding in total an amount of ----- [insert amount in figures] ----- [insert amount on words] upon receipt by us of your first demand in writing accompanied by a written statement stating that the Bidder is in breach of its obligation(s) under the bid conditions, because the Bidder:

- a) Has withdrawn its Bid during the period of bid validity specified; or
- b) Does not accept the correction of errors in accordance with the instructions to Bidders ~~(hereinafter "the ITB"); or~~
- c) Having been notified of the acceptance of its Bid by the Employer during the period of bid validity, (i) fails or refuses to execute the contract Form, if required, or (ii) fails or refuses to furnish the Performance Security , in accordance with the ITB.

This Guarantee shall expire: (a) if the Bidder is the successful bidder, upon our receipt of copies of the Contract signed by the Bidder and of the Performance Security issued to you by the Bidder: or (b) if the Bidder is not the successful bidder, upon the earlier of the successful bidder furnishing the performance security, otherwise it will remain in force up to -----

Consequently, any demand for payment under this Guarantee must be received by us at the office on or before that date.

[signature(s) and name(s) of authorized representative(s)]

ORIGINAL

Lot

2

SECTION 10

Other documents