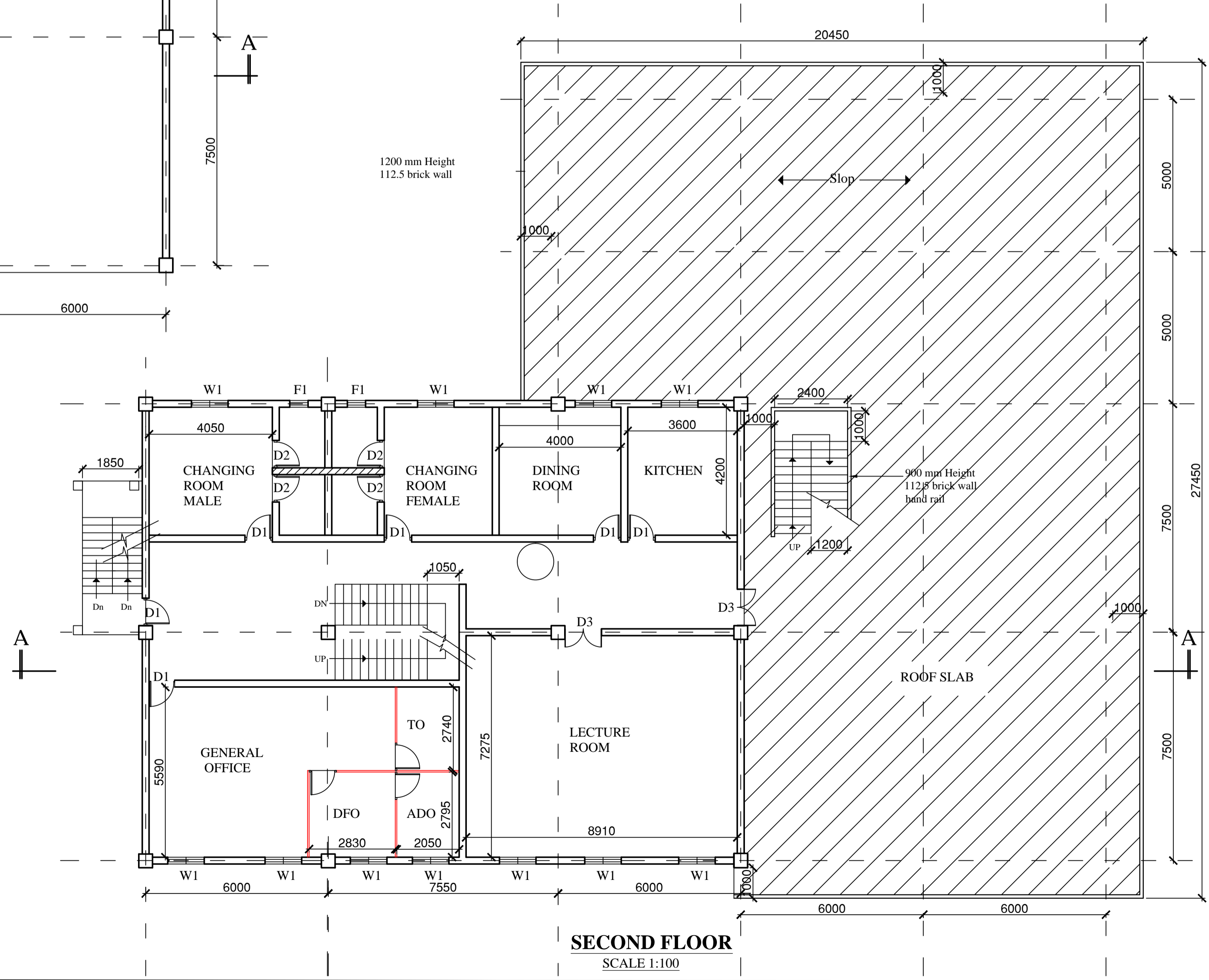


FIRST FLOOR
SCALE 1:100



SECOND FLOOR
SCALE 1:100

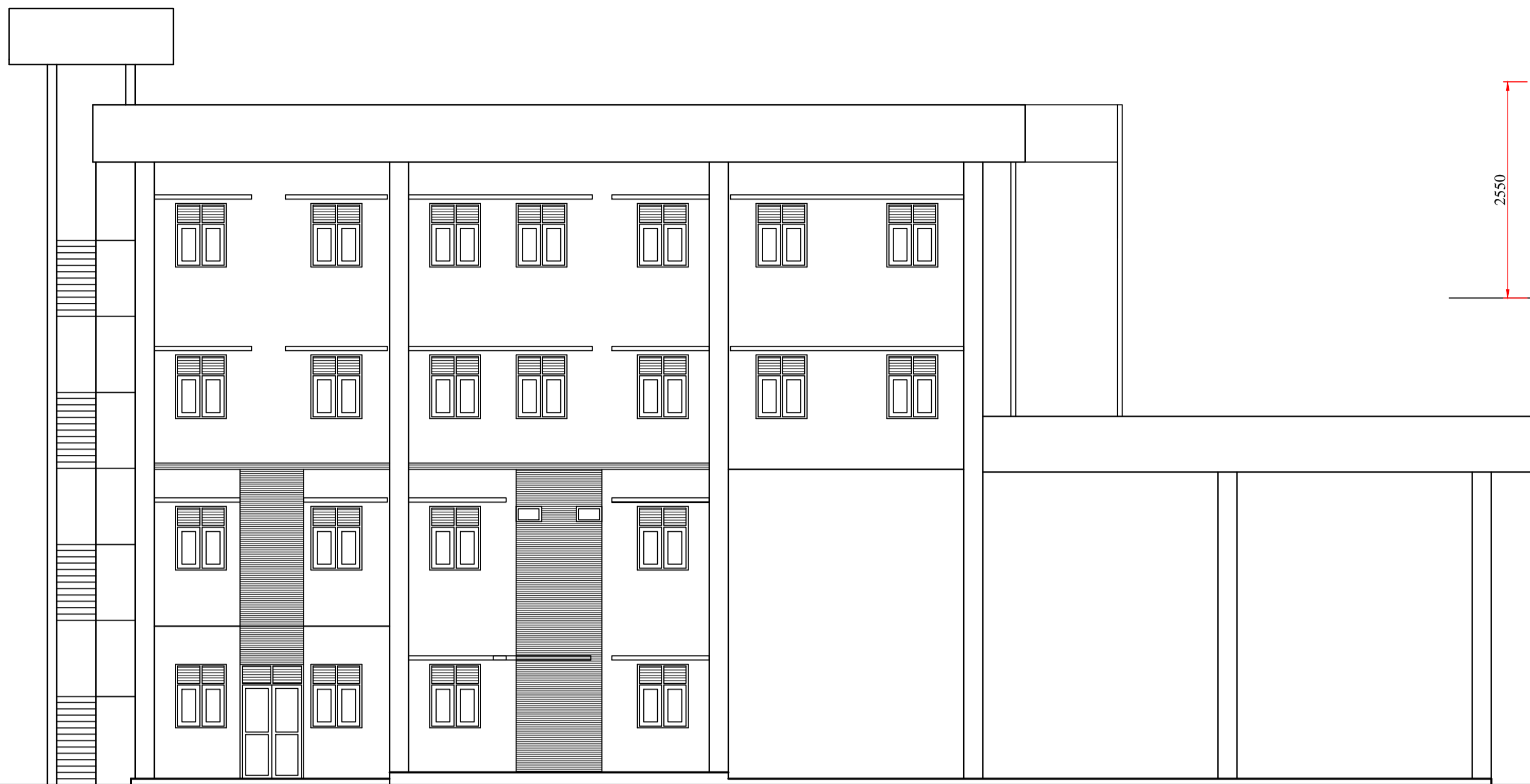
- NOTE**
- 1.This Drawing is a property of the Architectural unit of the M.Es Department.
 - 2.This Drawing shall not be copied or Altered without the consent of the Architect.
 - 3.This Drawing must not be scaled.
 - 4.If any discrepancy or error is detected in the drawing it should be immediately brought to the notice of the architect.
 - 5.This drawing should be read in conjunction with structural drawings & all service drawings and any other drawings referred to in here.
 - 06.All the appliances, fittings and colours to be approved by the Architect.
 - 07.All interior walls to be painted with emulsion paint. colour to be decided by Architect.
 - 08.All exterior walls to be painted with wethershadl paint. colour to be decided by architect.
 - 09.All needed electrical improvement to electrical engineer detail.

COLOMBO MUNICIPAL COUNCIL
MUNICIPAL ENGINEER'S DEPARTMENT

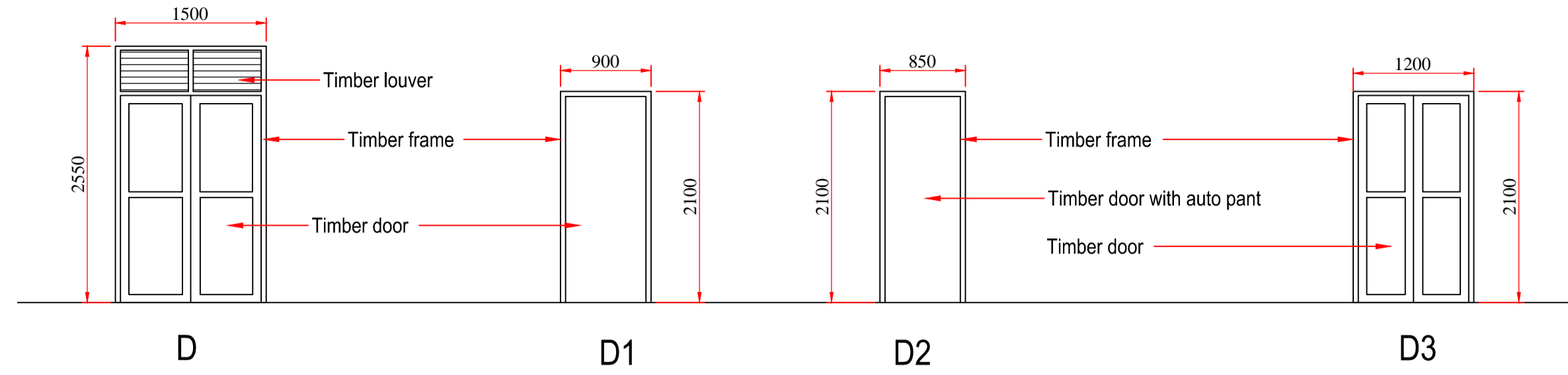
Job title
ALTERATION'S TO FIRE STATION AND TRAINING CENTRE AT ROXY GARDEN, WALLAWATTE.

Drawing title
PLANS, SECTIONS, ELEVATIONS, AND DETAILS.

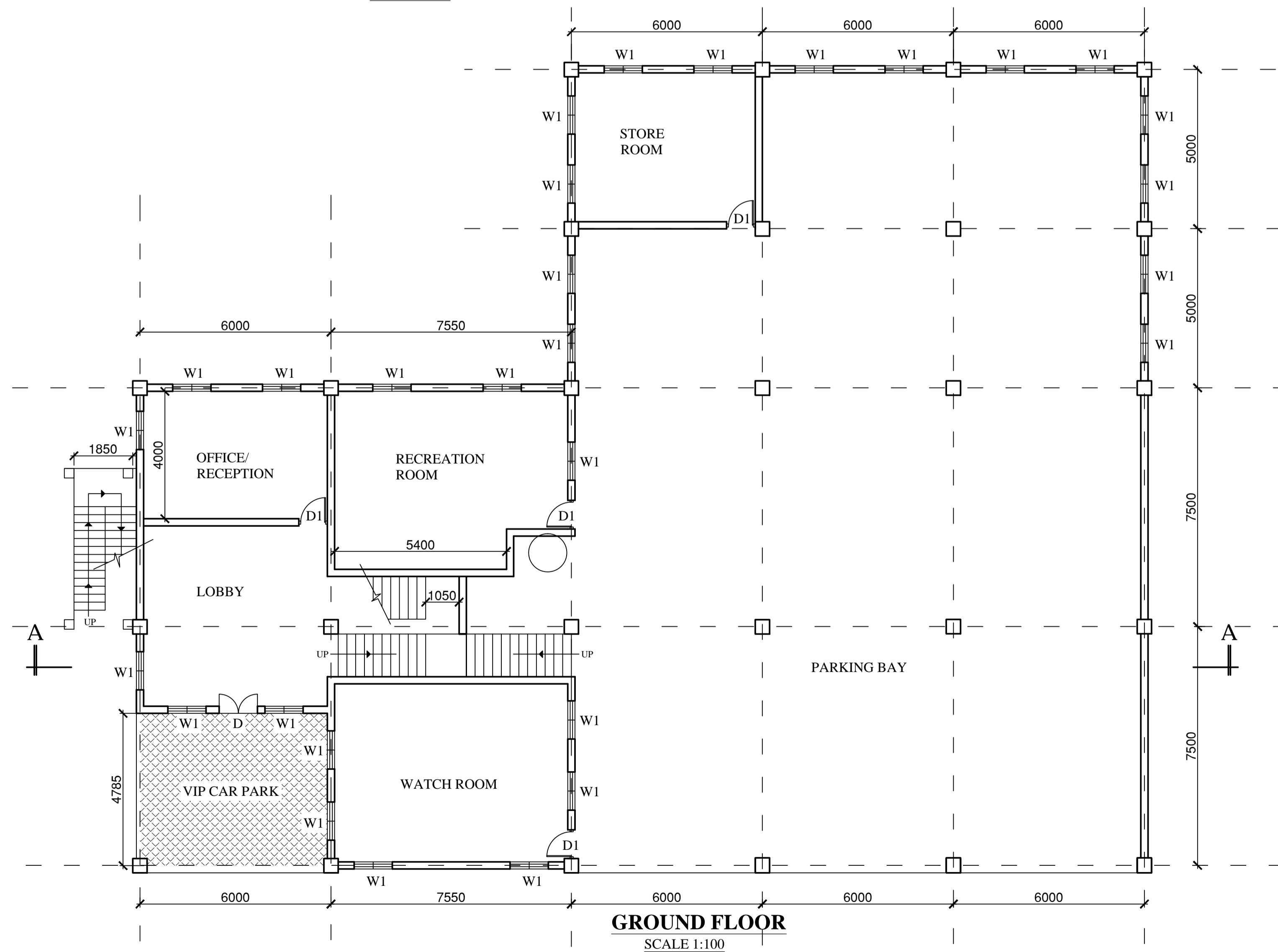
PROJECT ARCHITECT	E.G.L.MELLUGATHANNA		
SENIOR ARCHITECT	S.U.B.DOLAPHILLA		
CHIEF ARCHITECT	M.C.L.FERNANDO		
DIRECTOR (Eng./ TDRS)	P.A. CHANDRAPALA		
D.M.C.(Eng.services.)	Y.SILVESTER		
SCALE	DRAWN	CHECKED	chinda senarathna
1:100	Muduru Riwel	D.D.A. ACT.	chinda senarathna
1:50			
1:300			
JOB NO.	SHEET NO.	REVISION SUFFIX	
2005/34	02/05	R	0 2
CLIENT DEPT./AUTHORIZED OFFICER'S NAME			DATE : 28-10-2021
CLIENT SIGNATURE			DESIGNATION



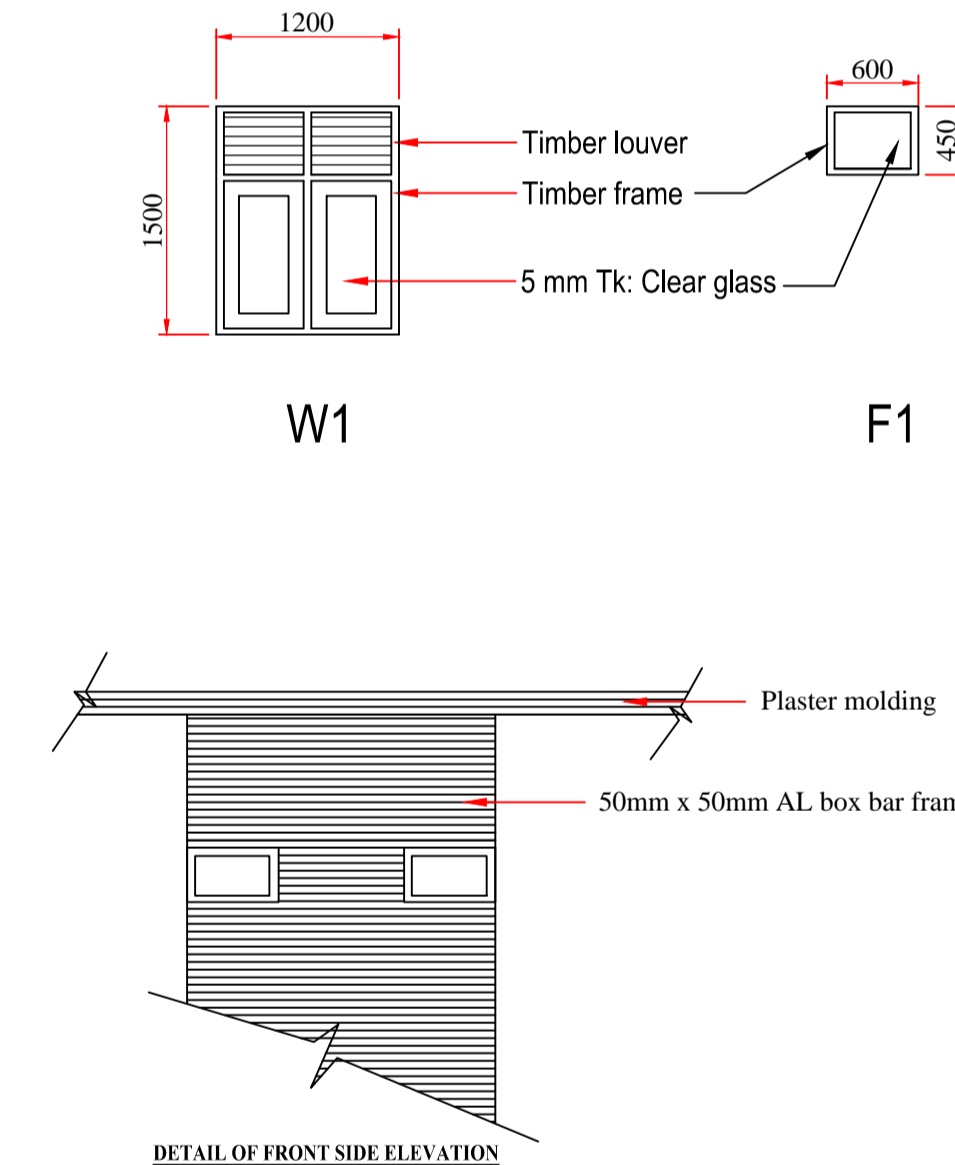
FRONT ELEVATION
SCALE 1:100



TYPE	SIZE	DESCRIPTION	NOs			
			G.L.	F.F.L.	S.F.L.	T.F.L.
D	1500 x 2550	TIMBER FRAMED TIMBER DOOR WITH LOUVER	01	-	-	-
D1	900 x 2100	TIMBER FRAMED TIMBER DOOR	04	03	06	03
D2	850 x 2100	TIMBER FRAMED TIMBER DOOR WITH AUTO PANT		03	04	02
D3	1200 x 2100	TIMBER FRAMED TIMBER DOOR			02	01
W1	1200 x 1500	TIMBER GLAZED WINDOW	29	13	11	15
F1	600 x 450	TIMBER GLAZED FANLIGHT		03	02	01



GROUND FLOOR
SCALE 1:100



NOTE

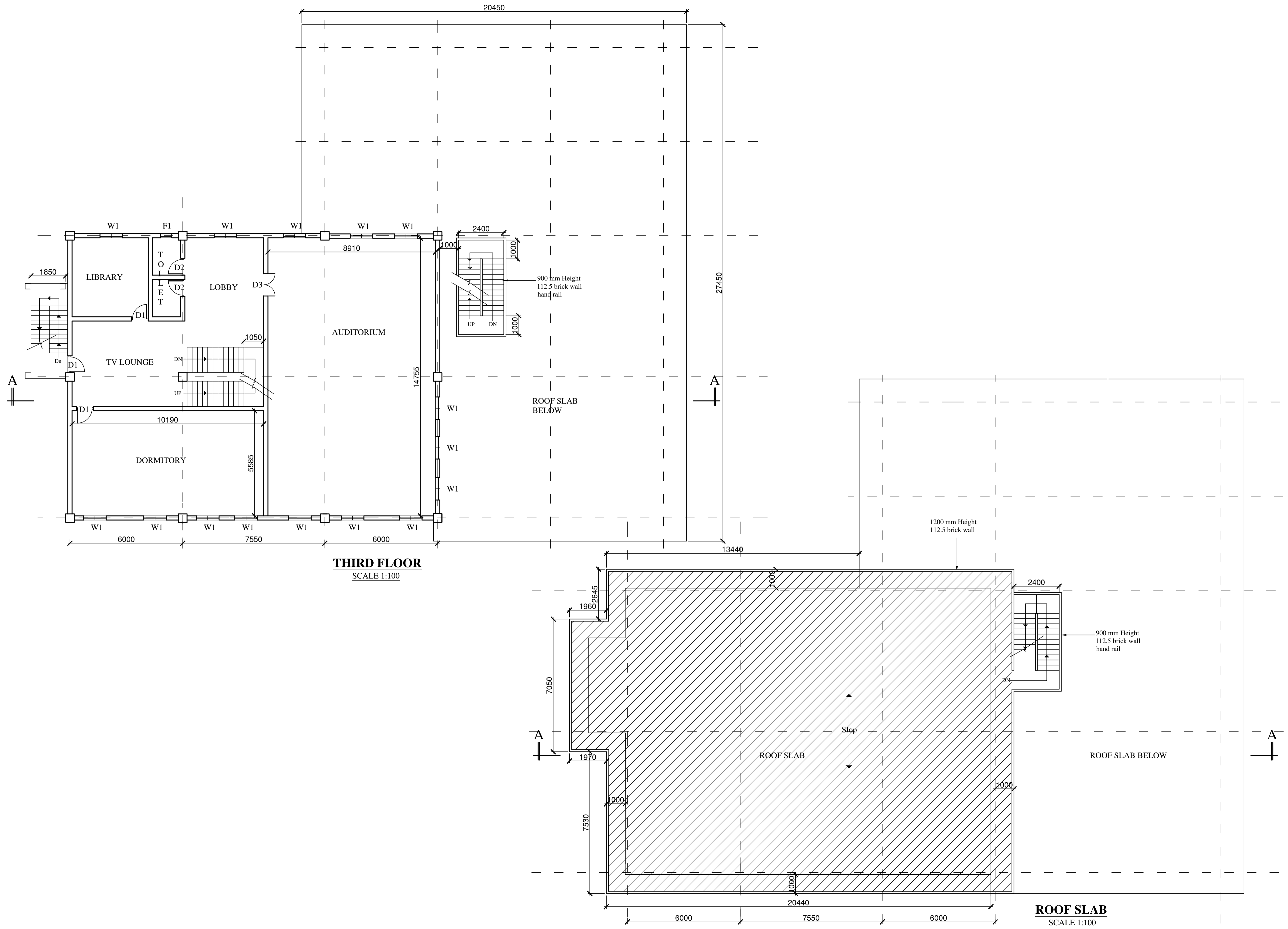
- 1.This Drawing is a property of the Architectural unit of the M.Es Department.
- 2.This Drawing shall not be copied or Altered without the consent of the Architect.
- 3.This Drawing must not be scaled.
- 4.If any discrepancy or error is detected in the drawing it should be immediately brought to the notice of the architect.
- 5.This drawing should be read in conjunction with structural drawings & all service drawings and any other drawings referred to in here.
- 06.All the appliances, fittings and colours to be approved by the Architect.
- 07.All interior walls to be painted with emulsion paint. colour to be decided by Architect.
- 08.All exterior walls to be painted with wethershald paint. colour to be decided by architect.
- 09.All needed electrical improvement to electrical engineer detail.

COLOMBO MUNICIPAL COUNCIL
MUNICIPAL ENGINEER'S DEPARTMENT

Job title
ALTERATION'S TO FIRE STATION AND TRAINING CENTRE AT ROXY GARDEN, WALLAWATTE.

Drawing title
PLANS, SECTIONS, ELEVATIONS, AND DETAILS.

PROJECT ARCHITECT	E.G.L.MELLUGATHANNA		
SENIOR ARCHITECT	S.U.B.DOLAPHILLA		
CHIEF ARCHITECT	M.C.L.FERNANDO		
DIRECTOR (Eng./ TDRS)	P.A. CHANDRAPALA		
D.M.C.(Eng.services.)	Y.SYLVESTER		
SCALE	DRAWN	CHECKED	
1:100	Malinda Sivewil	D.O.A. ACT.	chinda senarathna
JOB NO.	SHEET NO.	REVISION SUFFIX	
2005/34	01/05	R 0 2	
CLIENT DEPT./AUTHORIZED OFFICER'S NAME			DATE : 28-10-2021
CLIENT SIGNATURE			DESIGNATION



- NOTE**
- 1.This Drawing is a property of the Architectural unit of the M.Es Department.
 - 2.This Drawing shall not be copied or Altered without the consent of the Architect.
 - 3.This Drawing must not be scaled.
 - 4.If any discrepancy or error is detected in the drawing it should be immediately brought to the notice of the architect.
 - 5.This drawing should be read in conjunction with structural drawings & all service drawings and any other drawings referred to in here.
 - 06.All the appliances, fittings and colours to be approved by the Architect.
 - 07.All interior walls to be painted with emulsion paint. colour to be decided by Architect.
 - 08.All exterior walls to be painted with wethershadl paint. colour to be decided by architect.
 - 09.All needed electrical improvement to electrical engineer detail.

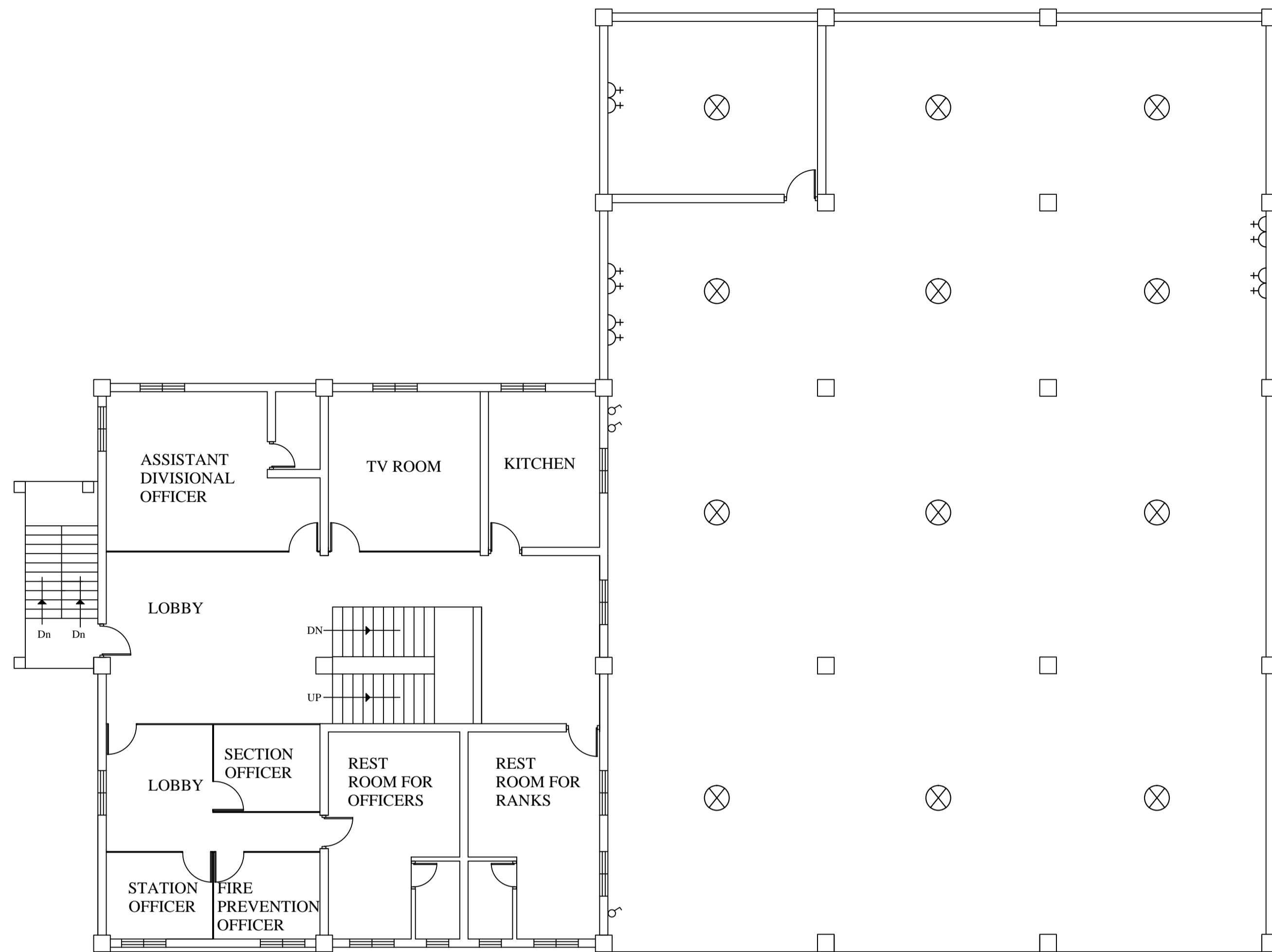
**COLOMBO MUNICIPAL COUNCIL
MUNICIPAL ENGINEER'S DEPARTMENT**

Job title
**ALTERATION'S TO FIRE
STATION AND TRAINING
CENTRE AT ROXY GARDEN,
WALLAWATTE.**

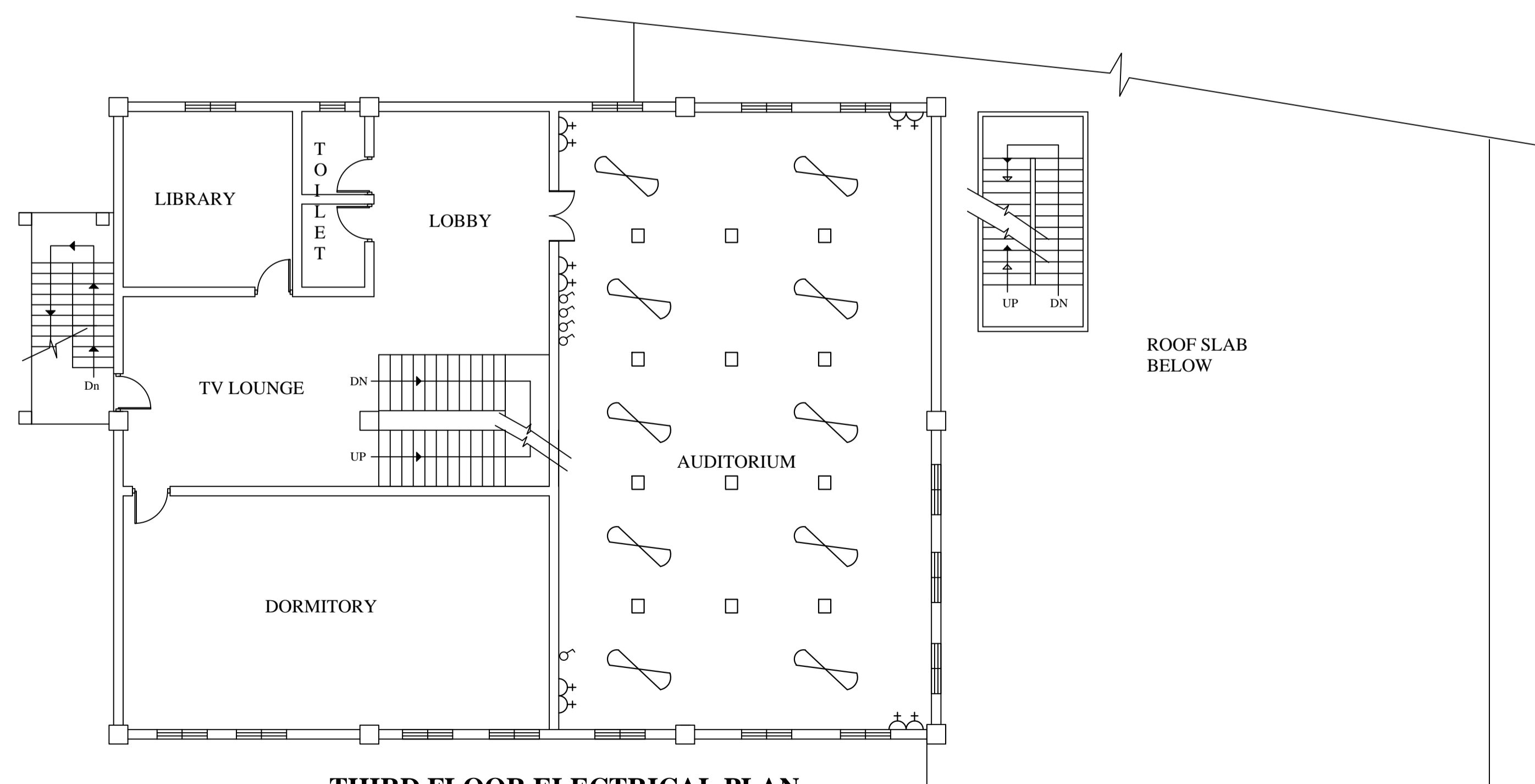
Drawing title
**PLANS, SECTIONS, ELEVATIONS,
AND DETAILS.**

PROJECT ARCHITECT	E.G.MELLUGATHANNA		
SENIOR ARCHITECT	S.U.B.DOLAPHILLA		
CHIEF ARCHITECT	M.C.L.FERNANDO		
DIRECTOR (Eng./ TDRS)	P.A.CHANDRAPALA		
D.M.C.(Eng.services.)	Y.SYLVESTER		
SCALE	DRAWN	CHECKED	charinda senarathna
1:100	Muduru Riwel	D.D.A.	charinda senarathna
1:50		ACT.	
1:300			
JOB NO.	SHEET NO.	REVISION SUFFIX	
2005/34	03/05	R 0 2	
DATE : 28-10-2021			

CLIENT DEPT./AUTHORIZED OFFICER'S NAME	DATE :
CLIENT SIGNATURE	DESIGNATION



FIRST FLOOR ELECTRICAL PLAN
SCALE 1:100



THIRD FLOOR ELECTRICAL PLAN
SCALE 1:100

SYMBOLS OF ELECTRICAL ITEMS	
DESCRIPTION	SYMBOL
CEILING FAN	
OUTDOOR WALL BRACKET LAMPS	
PENDENT LAMPS	
SQURE TYPE CEILING MOUNTED	
13 A PLUG BASE	
SWITCH	

NOTE

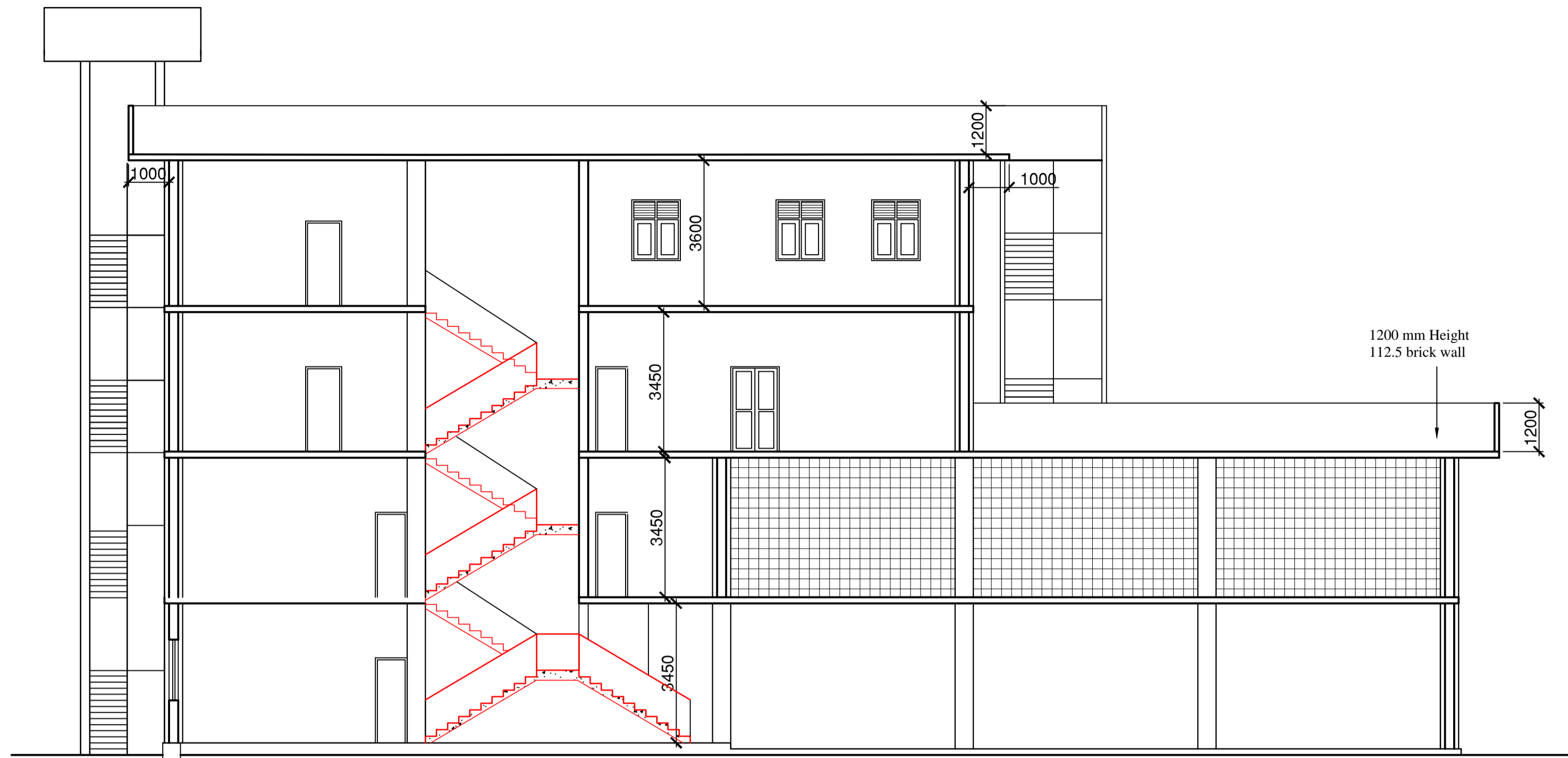
- 1.This Drawing is a property of the Architectural unit of the M.Es Department.
- 2.This Drawing shall not be copied or Altered without the consent of the Architect.
- 3.This Drawing must not be scaled.
- 4.If any discrepancy or error is detected in the drawing it should be immediately brought to the notice of the architect.
- 5.This drawing should be read in conjunction with structural drawings & all service drawings and any other drawings referred to in here.
- 06.All the appliances, fittings and colours to be approved by the Architect.
- 07.All interior walls to be painted with emulsion paint. colour to be decided by Architect.
- 08.All exterior walls to be painted with wethershadl paint. colour to be decided by architect.
- 09.All needed electrical improvement to electrical engineer detail.

COLOMBO MUNICIPAL COUNCIL
MUNICIPAL ENGINEER'S DEPARTMENT

Job title
ALTERATION'S TO FIRE STATION AND TRAINING CENTRE AT ROXY GARDEN, WALLAWATTE.

Drawing title
PLANS, SECTIONS, ELEVATIONS, AND DETAILS.

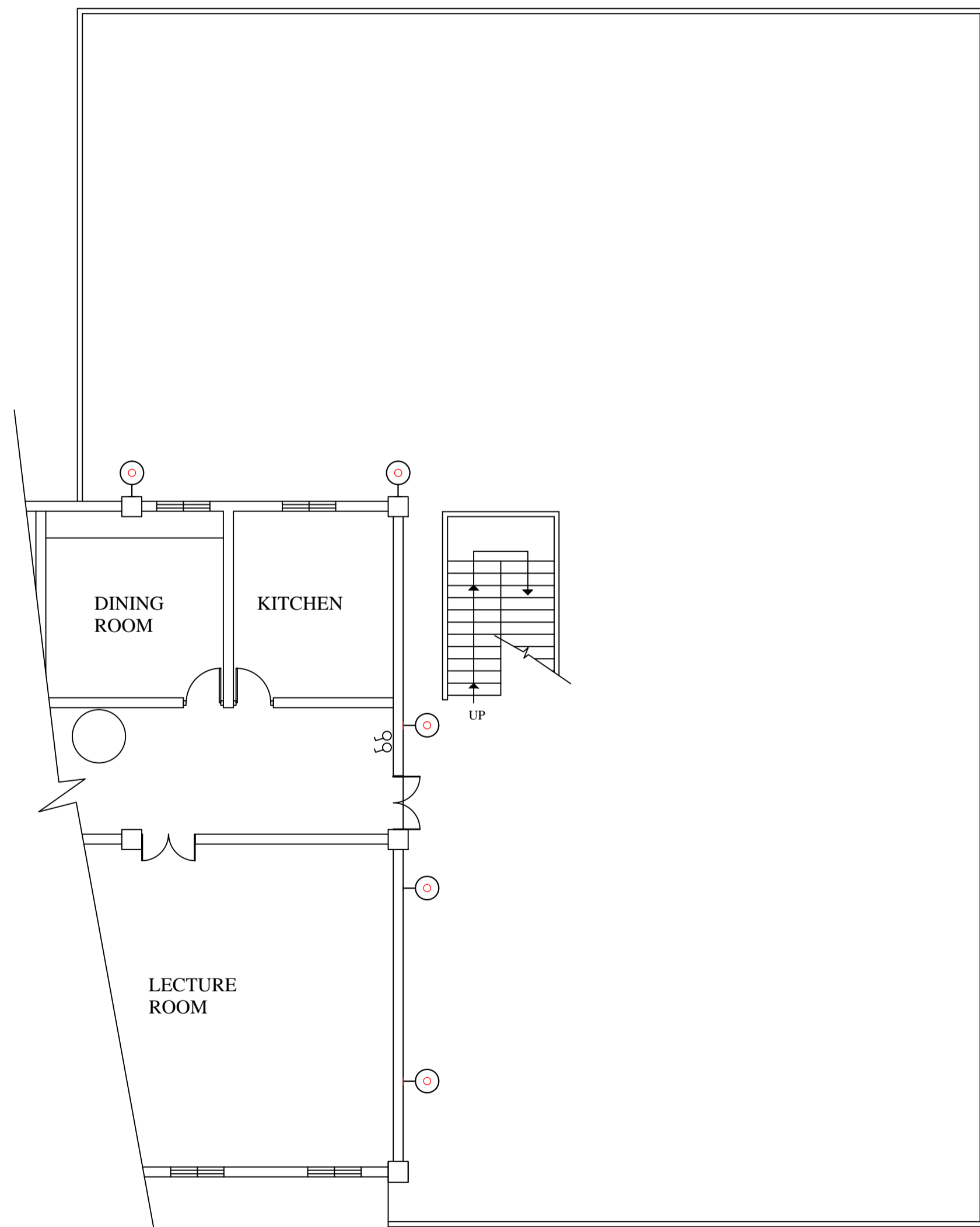
PROJECT ARCHITECT	E.G.L.MELLUGATHANNA		
SENIOR ARCHITECT	S.U.B.DOLAPHILLA		
CHIEF ARCHITECT	M.C.L.FERNANDO		
DIRECTOR (Eng./ TDRS)	P.A. CHANDRAPALA		
D.M.C.(Eng.services.)	Y.SILVESTER		
SCALE	DRAWN	CHECKED	<i>chrisinda senarathne</i>
1:100 1:50 1:300	<i>Mudusha Sivew</i>	D.O.A. ACT.	<i>chrisinda senarathne</i>
JOB NO.	SHEET NO.	REVISION SUFFIX	
2005/34	04/05	R 0 2	
CLIENT DEPT./AUTHORIZED OFFICER'S NAME			DATE : 28-10-2021
CLIENT SIGNATURE			DESIGNATION



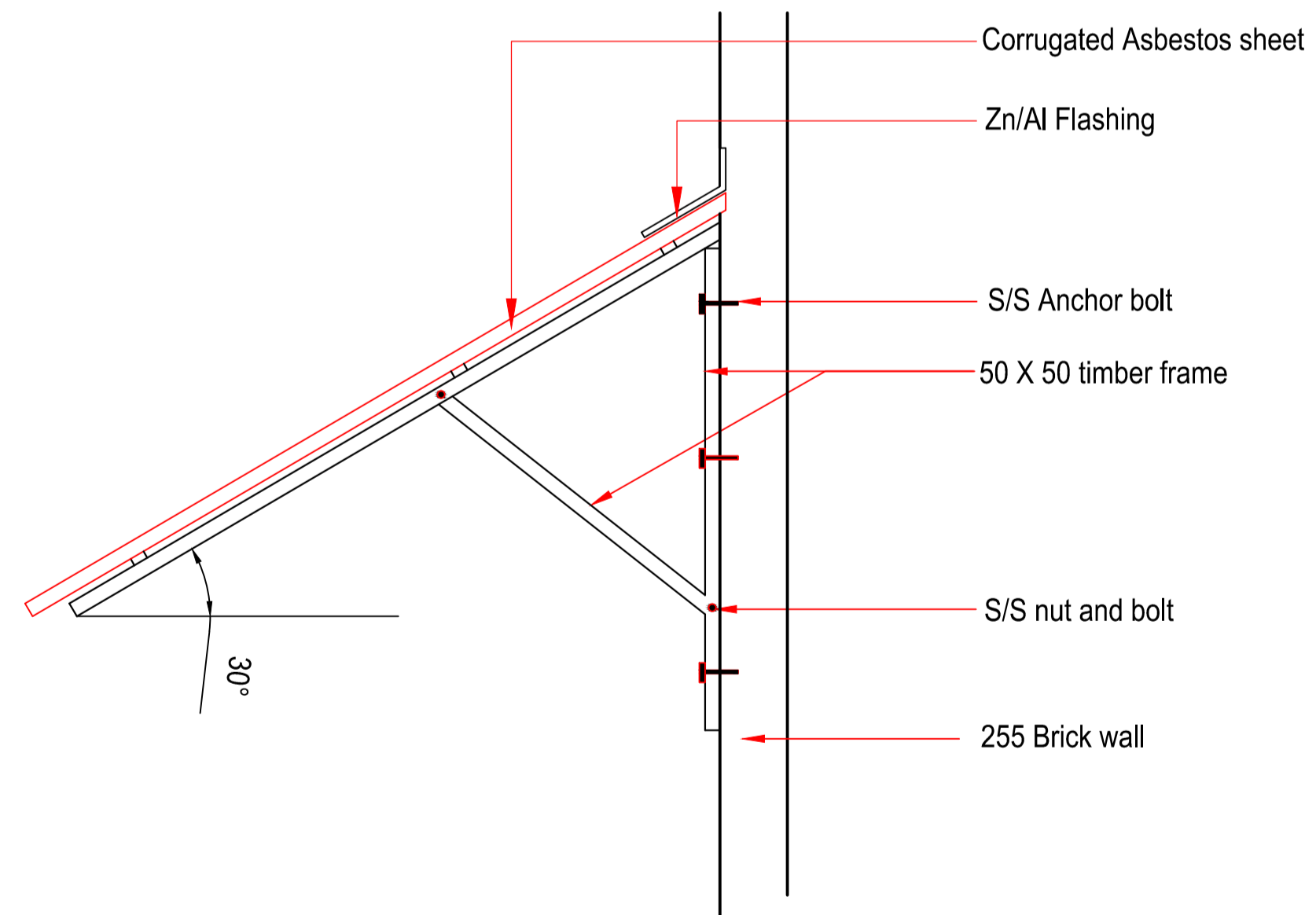
SECTION A-A
SCALE 1:100

NOTE

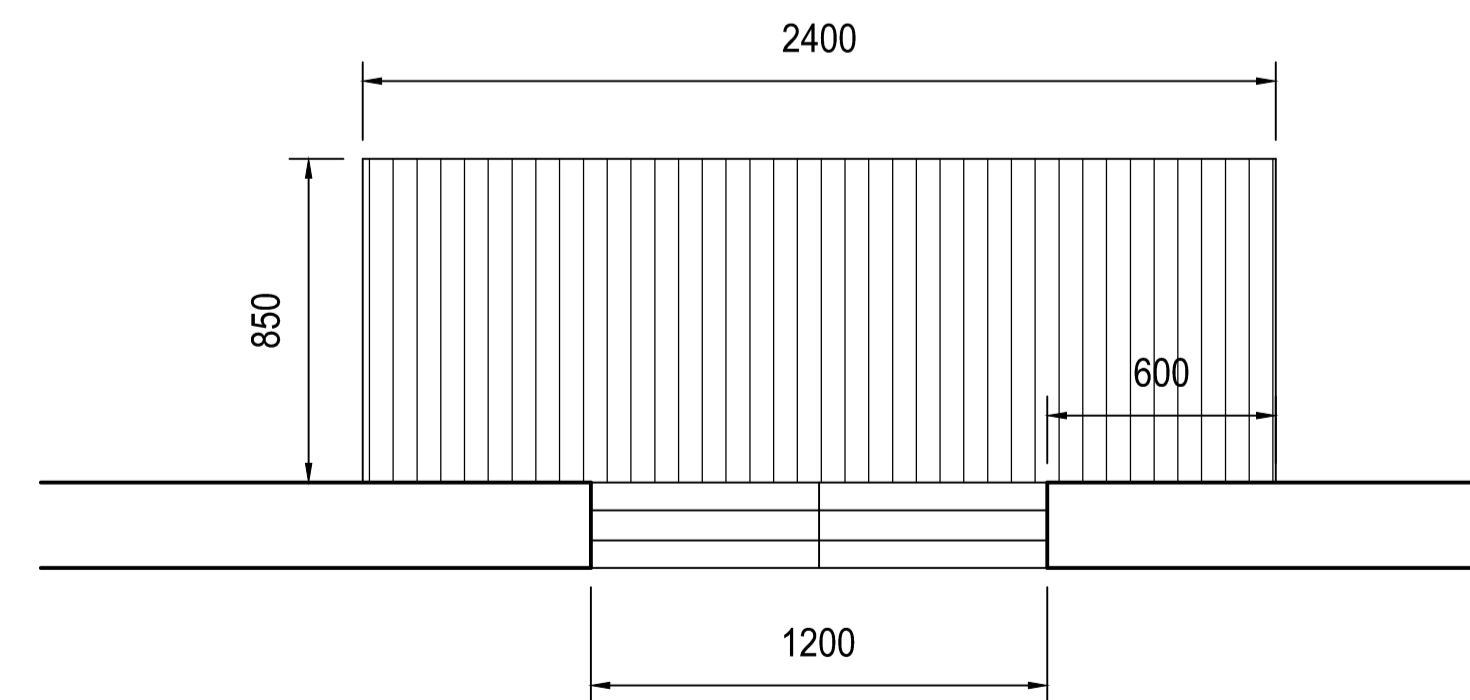
- 1.This Drawing is a property of the Architectural unit of the M.Es Department.
- 2.This Drawing shall not be copied or Altered without the consent of the Architect.
- 3.This Drawing must not be scaled.
- 4.If any discrepancy or error is detected in the drawing it should be immediately brought to the notice of the architect.
- 5.This drawing should be read in conjunction with structural drawings & all service drawings and any other drawings referred to in here.
- 06.All the appliances, fittings and colours to be approved by the Architect.
- 07.All interior walls to be painted with emulsion paint. colour to be decided by Architect.
- 08.All exterior walls to be painted with wethershadl paint. colour to be decided by architect.
- 09.All needed electrical improvement to electrical engineer detail.



SECOND FLOOR ELECTRICAL PLAN
SCALE 1:100



WINDOW CANOPY DETAIL
Scale - 1:25



COLOMBO MUNICIPAL COUNCIL
MUNICIPAL ENGINEER'S DEPARTMENT

Job title
ALTERATION'S TO FIRE STATION AND TRAINING CENTRE AT ROXY GARDEN, WALLAWATTE.

Drawing title
PLANS, SECTIONS, ELEVATIONS, AND DETAILS.

PROJECT ARCHITECT	E.G.L.MELLUGATHANNA		
SENIOR ARCHITECT	S.U.B.DOLAPHILLA		
CHIEF ARCHITECT	M.C.L.FERNANDO		
DIRECTOR (Eng./ TDRS)	P.A. CHANDRAPALA		
D.M.C.(Eng.services.)	Y.SYLVESTER		
SCALE	DRAWN	CHECKED	chinda senarathna
1:100	Muduru Sivvel	D.D.A. ACT.	chinda senarathna
1:50			
1:300			
JOB NO.	SHEET NO.	REVISION SUFFIX	
2005/34	05/05	R 0 2	
DATE : 28-10-2021			
CLIENT DEPT./AUTHORIZED OFFICER'S NAME			DATE :
CLIENT SIGNATURE		DESIGNATION	