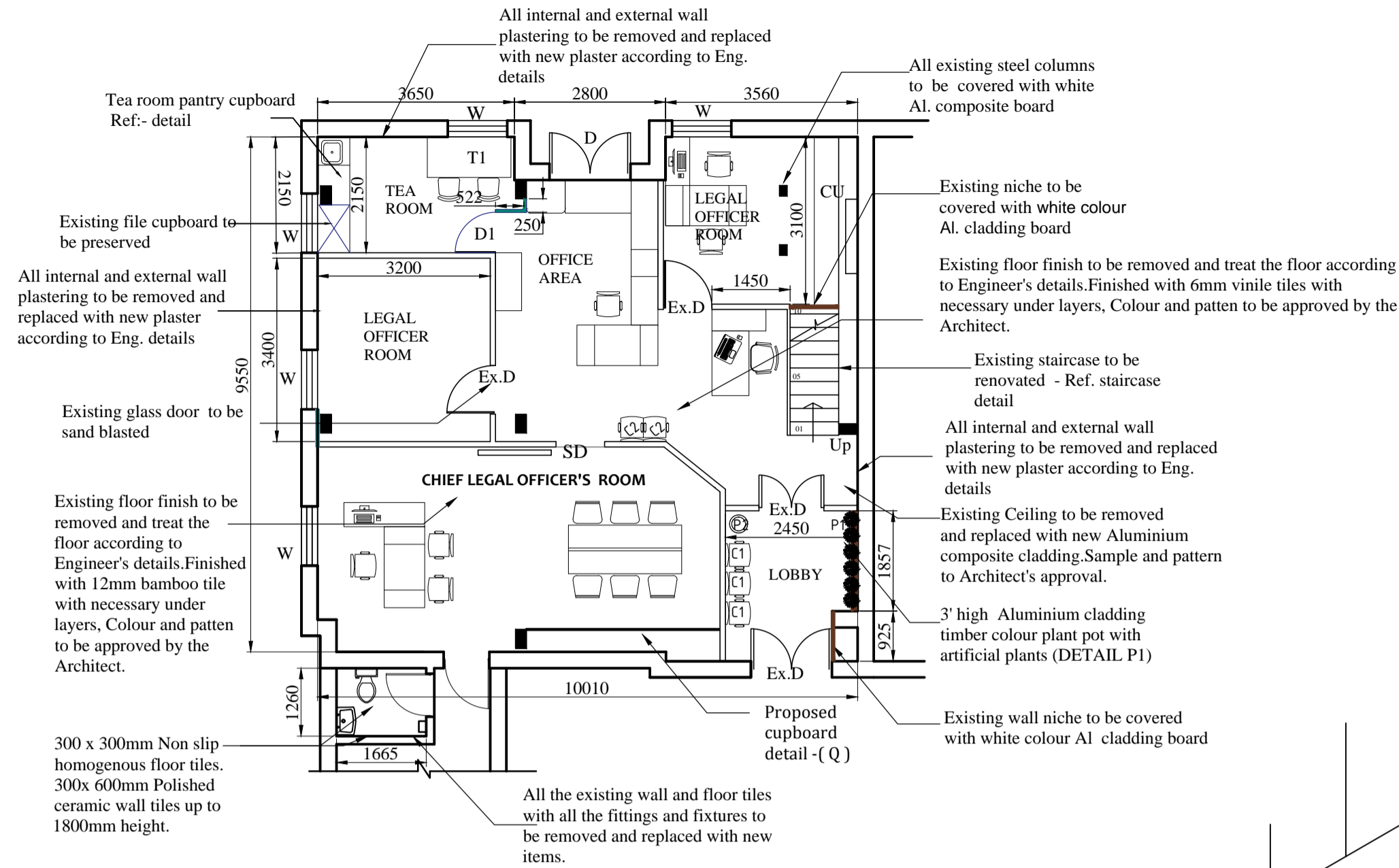
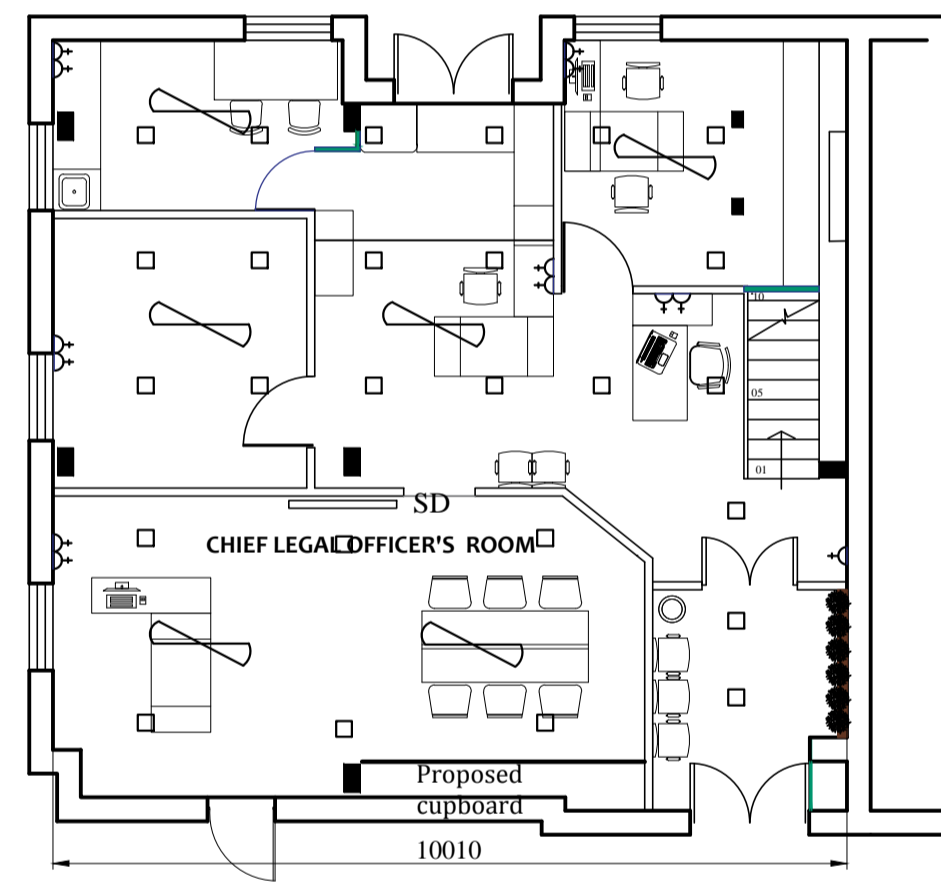


ORIGINAL

TEA ROOM PANTRY CUPBOARD DETAIL

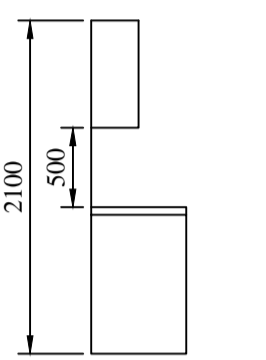
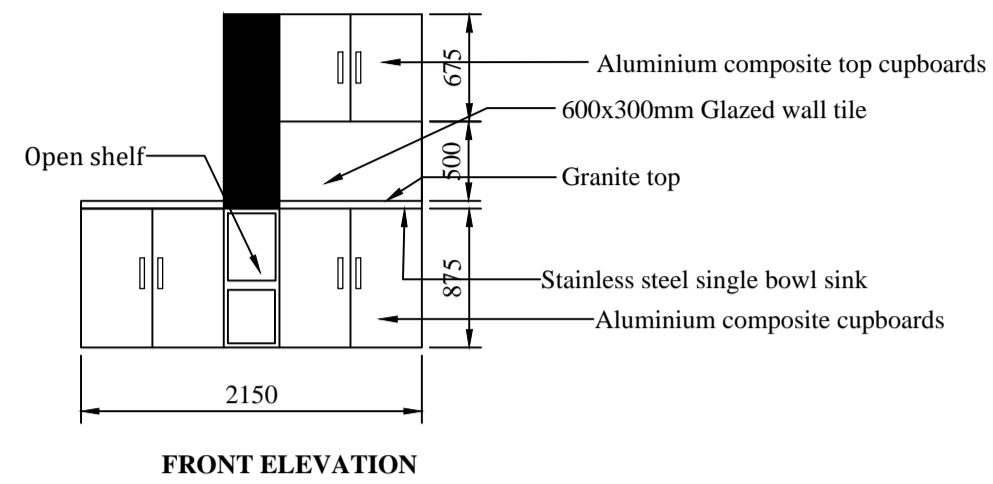


GROUND FLOOR
Scale 1:100

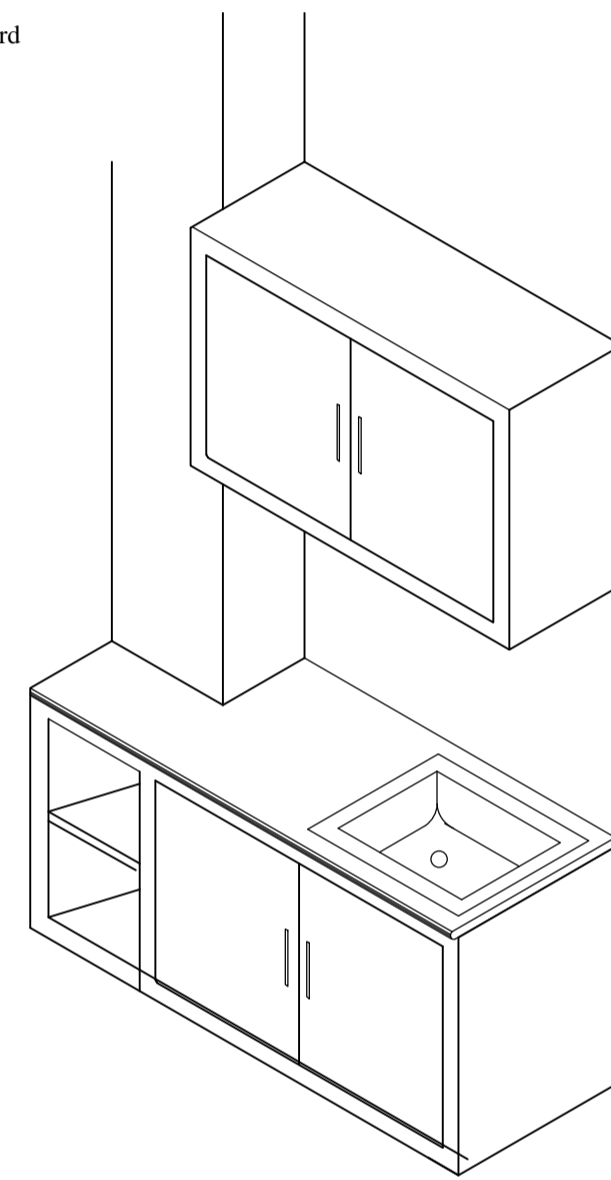


ELECTRICAL LEGEND

SYMBOL	DESCRIPTION
	600 x 600 Ceiling mounted LED lamp sample (image -A)
	12000 Ceiling fan
	13A socket (existing sockets to be kept as it is)
	A/C points as per Eng's detail.

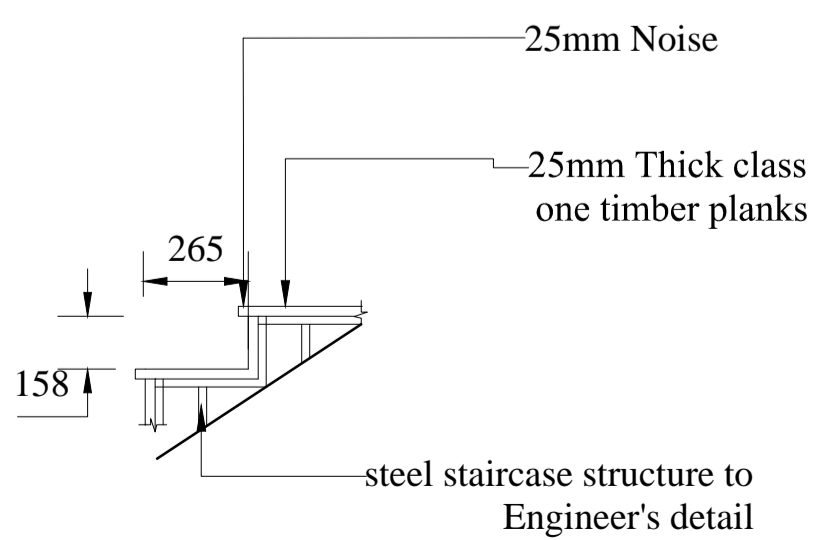
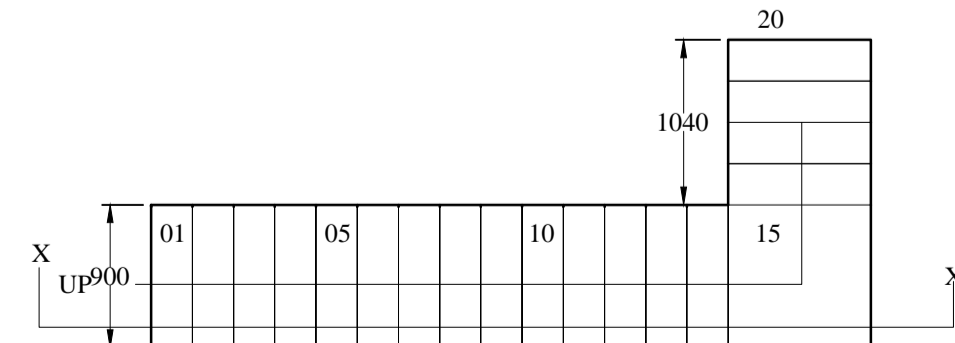
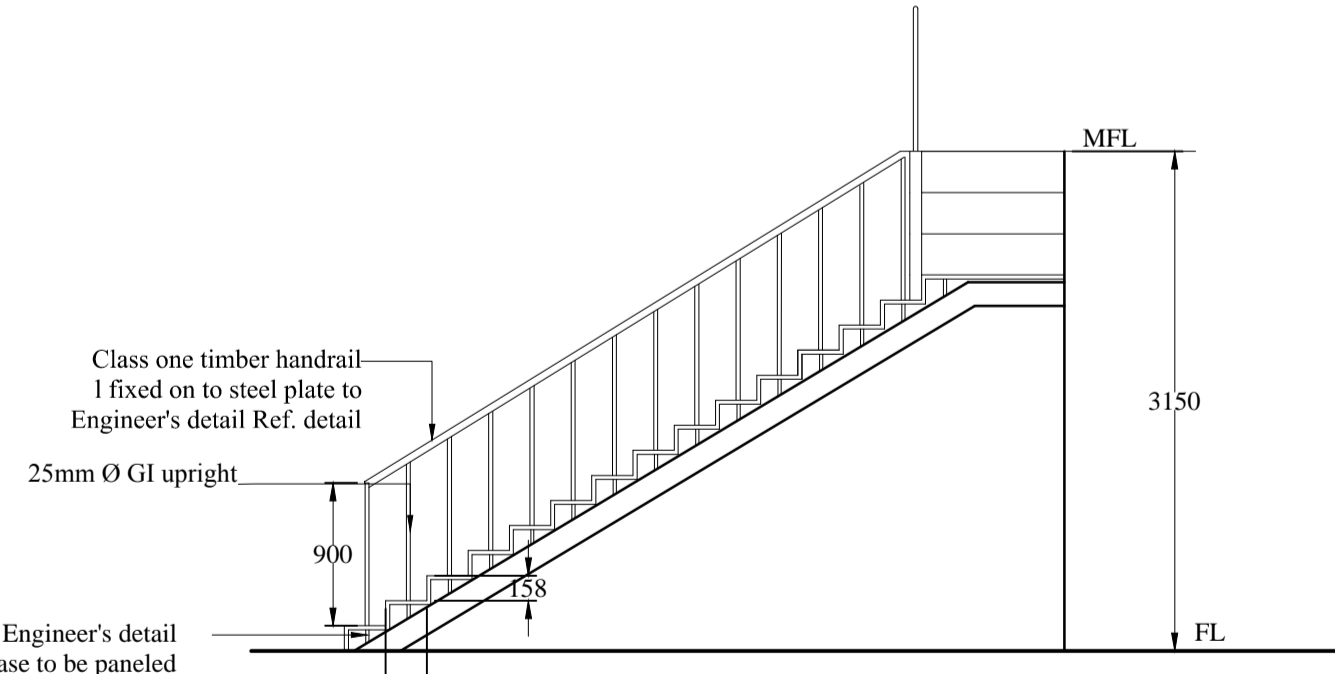


*Measurements to be checked at site before fabrication
 *Shop drawings for cupboard to be produced by contractor for architects approval before fabrication
 *Aluminium composite pantry cupboard with single bowl sink



ISOMETRIC VIEW

RENOVATION OF THE EXISTING STAIRCASE



CEILING LIGHT		Ceiling light 600 x 600 Ceiling mounted LED lamp
FLOOR FINISH		Bamboo flooring 12mm thick with 2mm under layer 1850mmx125mmwidth planks fixed to tongue and groove system Area :- 64.35 m2 colour to be approved by the Architect
CEILING FINISH		Aluminium Composite Cladding Ceiling white colour mat finished 4mm thick. Aluminium Composite cladding ceiling fixed to necessary frame work. Area colour to be approved by the Architect
PLANT TROUGH (P1) ARTIFICIAL		Plant pot 900mm high timber colour aluminium cladding plant box 125mm width , with artificial plants Colour to be approved by the Architect.
STATUE (P2)		Statue 450mm high Porcelain Statue on 1350mm x 300mm size 300mm high cement cube
LOBBY CHAIR (C1)		Lobby chair Fabric single seater visitor chair 3 nos .colour to be approved by the architect
LUNCH ROOM TABLE AND CHAIRS (T1)		Lunch room table and chairs Table : Length – 122cm Width – 61cm Height – 76cm
NAME BOARD		Name board stainless steel name board with lesser jet black colour letters
FURNITURE - (Q)		Melamine cupboards Open shelf for Buddha statue Openable galss door

NOTE

- This drawing is a property of the Architectural unit of the M.E's Department.
 - This drawing shall not be copied or altered without the consent of the Architect.
 - If any discrepancy or error is detected in the drawing it should be immediately notice of the Architect.
 - This drawing should be read in conjunction with structural drawings & all service drawings and any other drawings referred to in here.
 - Any construction work carried out not in accordance with the information in the drawing will be rejected by the Architect.
 - Existing floor carpet to be removed & treated the floor according to Engineer's details and replaced with relevant floor finishes mentioned in the drawing, sample to be approved by the Architect before approving. 2m² sample floor area to be done from 3 selected samples and Architect will select one.
 - All internal and external wall plaster in to be removed properly and introduced new wall plaster according the Engineers detail. finished with putty and pant.
 - Proposed electrical layout & Ac detail to be done as per Engineer's details.
- GROUND FLOOR**
- Existing partition to be kept as it is.
 - Existing floor finish in ground floor to be removed and treat the floor according to Engineer's details.
 - Existing glass doors to be sand blasted.
 - Existing Ceiling to be removed and replaced with new Aluminum composite cladding ceiling with necessary frame work as per Eng.detail.Colour,Sample and pattern to Architect's approval.
 - New Electrical layout with AC points as per Electrical Eng.instruction.
 - All AI sections and AI composite panel colours to by approved by Architect.
 - Water leakage in roof to be repaired as per Eng.s detail before commencing any interior work.
 - Existing wall areas to be repaired and painted in brilliant white emulsion paint.

COLOMBO MUNICIPAL COUNCIL MUNICIPAL ENGINEER'S DEPARTMENT

Job title
PROPOSED RENOVATION AND INTERIOR DESIGN TO LEGAL DEPARTMENT, COLOMBO MUNICIPAL COUNCIL, TOWN HALL, COLOMBO - 07

Drawing title
PLANS, SECTION.

PROJECT ARCHITECT	E.G.L.MELUGATHANNE
PROJECT ENGINEER	W.M.J.P.KUMARA
SENIOR ARCHITECT	S.U.B.DOLAPHILLA
CHIEF ARCHITECT	M.C.L.FERNANDO
DIRECTOR (Eng./ TDRS)	DIRECTOR ENGINEER & TDRS
D.M.C.(Eng.services.)	Y.SILVESTER

SCALE	DRAWN	CHECKED
1:100	T.M.L.R.Themakoon	Chavinda Senarathne
1:50		D.O.A. ACT: Chavinda Senarathne
JOB NO.	SHEET NO.	REVISION SUFFIX
2021/09	01/02	DATE : 30-04-2021
CLIENT DEPT./AUTHORIZED OFFICER'S NAME	DATE	
CLIENT SIGNATURE	DESIGNATION	